

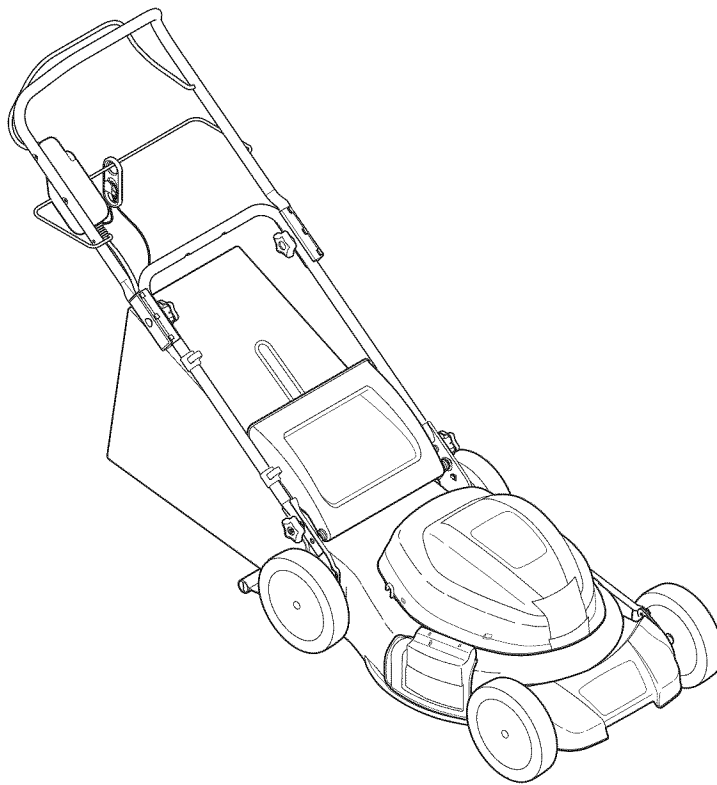
Operator's Manual

CRAFTSMAN[®]

19-inch Electric

Rotary Mower

Model No. 247.370160



CAUTION: Before using this product, read this manual and follow all safety rules and operating instructions.

- SAFETY
- ASSEMBLY
- OPERATION
- MAINTENANCE
- PARTS LIST
- ESPAÑOL P. 24



This symbol on the product's nameplate means it is listed by UNDERWRITERS LABORATORIES INC.

Sears, Roebuck and Co., Hoffman Estates, IL 60179, U.S.A.

Visit our web site: www.craftsman.com

FORM NO. 769-04643A
November 17, 2009

TABLE OF CONTENTS

Warranty Statement	2	Service and Maintenance	15
Safety Instructions	3	Off-Season Storage	18
Safety Labels	7	Troubleshooting	19
Slope Guide.....	8	Parts List	20
Assembly.....	10	Español.....	24
Operation	13	Service Numbers	Back Cover

WARRANTY STATEMENT

Craftsman Two Year Limited Warranty

If this Craftsman product fails due to a defect in material or workmanship within two years from the date of purchase, return it to any Sears store, Sears Service Center, or other Craftsman outlet in the United States for free repair.

This warranty does not include:

- Expendable items which can wear out from normal use within the warranty period, such as the grass bag and rotary mower blade.
- Repairs necessary because of operator abuse or negligence, including bent motor shafts and the failure to operate or maintain the equipment according to all supplied instructions.

This warranty applies for only 90 days if this product is ever used for commercial or rental purposes.

This warranty applies only while this product is used in the United States.

This warranty gives you specific legal rights, and you may also have other rights which vary from state to state.

Sears, Roebuck and Co., Hoffman Estates, IL 60179

PRODUCT SPECIFICATIONS

Motor: 12 Amperes

MODEL NUMBER

Model Number _____

Serial Number _____

Date of Purchase _____

Record the model number, serial number,
and date of purchase above.

SAFETY INSTRUCTIONS

⚠ WARNING



This symbol points out important safety instructions which, if not followed, could endanger the personal safety and/or property of yourself and others. Read and follow all instructions in this manual before attempting to operate this machine. Failure to comply with these instructions may result in personal injury. When you see this symbol, **HEED ITS WARNING!**

Your Responsibility: Restrict the use of this power machine to persons who read, understand, and follow the warnings and instructions in this manual and on the machine.

⚠ DANGER

This machine was built to be operated according to the rules for safe operation in this manual. As with any type of power equipment, carelessness or error on the part of the operator can result in serious injury. This machine is capable of amputating hands and feet and throwing objects. Failure to observe the following safety instructions could result in serious injury or death.

⚠ WARNING

When using electric lawn mowers, basic safety precautions should always be followed to reduce the risk of fire, electric shock, and personal injury. These basic precautions include the following:

Double Insulated Lawn Mower



Double insulation is a concept in the safety of electric lawn mowers, which eliminates the need for the usual three-wire grounded power cord and grounded power supply system. Wherever there is electric current in the mower, there are two complete sets of insulation to protect the user. All exposed metal parts are isolated from the internal metal motor components with protecting insulation.

Servicing of a lawn mower with double insulation requires extreme care and knowledge of the system and should be performed only by a qualified service technician. For repair service we suggest you take the lawn mower to your nearest authorized service dealer. Always use original equipment manufacturer's (OEM) replacement parts when servicing.

CHILDREN

Tragic accidents can occur if the operator is not alert to the presence of children. Children are often attracted to the mower and the mowing activity. They do not understand the dangers. Never assume that children will remain where you last saw them.

- Keep children out of the mowing area and under watchful care of a responsible adult other than the operator.
- Be alert and turn mower off if a child enters the area.
- Before and while moving backwards, look behind and down for small children.
- Use extreme care when approaching blind corners, doorways, shrubs, trees, or other objects that may obscure your vision of a child who may run into the mower.

Never allow children under 14 years of age to operate this machine. Children 14 and over should read and understand the instructions and safe operation practices in this manual and on the machine and be trained and supervised by an adult.

OPERATION

General Operation:

- Read this operator's manual carefully in its entirety before attempting to assemble this machine. Read, understand, and follow all instructions on the machine and in the manual(s) before operation. Keep this manual in a safe place for future and regular reference and for ordering replacement parts.
- Be completely familiar with the controls and the proper use of this machine before operating it.

- This machine is a precision piece of power equipment, not a plaything. Therefore, exercise extreme caution at all times. This machine has been designed to perform one job: to mow grass. Do not use it for any other purpose.
- Never allow children under 14 years of age to operate this machine. Children 14 and over should read and understand the instructions and safe operation practices in this manual and on the machine and be trained and supervised by an adult.
- Only responsible individuals who are familiar with these rules of safe operation should be allowed to use this machine.
- Thoroughly inspect the area where the equipment is to be used. Remove all stones, sticks, wire, bones, toys and other foreign objects which could be tripped over or picked up and thrown by the blade. Thrown objects can cause serious personal injury.
- Plan your mowing pattern to avoid discharge of material toward roads, sidewalks, bystanders and the like. Also, avoid discharging material against a wall or obstruction which may cause discharged material to ricochet back toward the operator.
- To help avoid blade contact or a thrown object injury, stay in operator zone behind handles and keep children, bystanders, helpers and pets at least 75 feet from mower while it is in operation. Stop machine if anyone enters area.
- Always wear safety glasses or safety goggles during operation and while performing an adjustment or repair to protect your eyes. Thrown objects which ricochet can cause serious injury to the eyes.

SAFETY INSTRUCTIONS

- Wear sturdy, rough-soled work shoes and close-fitting slacks and shirts. Shirts and pants that cover the arms and legs and steel-toed shoes are recommended. Never operate this machine in bare feet, sandals, slippery or light weight (e.g. canvas) shoes.
- Do not put hands or feet near rotating parts or under cutting deck. Contact with blade can amputate hands and feet.
- A missing or damaged discharge chute can cause blade contact or thrown object injuries.
- Many injuries occur as a result of the mower being pulled over the foot during a fall caused by slipping or tripping. Do not hold on to the mower if you are falling; release the handle immediately.
- Never pull the mower back toward you while you are walking. If you must back the mower away from a wall or obstruction first look down and behind to avoid tripping and then follow these steps:
 - Step back from mower to fully extend your arms.
 - Be sure you are well balanced with sure footing.
 - Pull the mower back slowly, no more than half way toward you.
 - Repeat these steps as needed.
- Do not operate the mower while under the influence of alcohol or drugs.
- Stay alert — Watch what you are doing. Use common sense. Do not operate lawn mower when you are tired.
- The motor/blade control handle is a safety device. Never attempt to bypass its operation. Doing so makes the safety device inoperative and may result in personal injury through contact with the rotating blade. The motor/blade control handle must operate easily in both directions and automatically return to the disengaged position when released.
- Never operate the mower in the rain or in damp or wet grass. Always be sure of your footing. A slip and fall can cause serious personal injury. If you feel you are losing your footing, release the motor/blade control handle immediately and the blade will stop rotating within three seconds.
- Mow only in daylight or good artificial light. Walk, never run.
- Stop the motor/blade when crossing gravel drives, walks or roads.
- If the equipment should start to vibrate abnormally, stop the engine and check immediately for the cause. Vibration is generally a warning of trouble.
- Shut the motor off and wait until the blade comes to a complete stop before removing the grass catcher or unclogging the chute. The cutting blade continues to rotate for a few seconds after the motor is shut off. Never place any part of the body in the blade area until you are sure the blade has stopped rotating.
- Never operate mower without proper trail shield, discharge chute, grass catcher, motor/blade control handle or other safety protective devices in place and working. Never operate mower with damaged safety devices. Failure to do so, can result in personal injury.
- Ground Fault Circuit Interrupter (GFCI) protection should be provided on the circuit(s) or outlet(s) to be used for the lawn mower. Receptacles are available having built-in GFCI protection and may be used for this measure of safety.
- To prevent electric shock use only with a UL listed extension cord set suitable for outdoor use, such as Type SW-A, SOW-A, STW-A, STOW-A, SJW-A, SJOW-A, SJTW-A, or SJTOW-A.
- Extension Cord—Make sure your extension cord set is in good condition and is heavy enough to carry the current load your lawn mower will draw. If in doubt, use the next heavier gauge cord. The smaller the gauge number, the heavier the cord. An undersized cord will cause a drop in line voltage resulting in loss of power and overheating.

MINIMUM WIRE SIZE FOR EXTENSION CORDS FOR 120 VOLT APPLIANCES USING 10 - 12 AMPS				
Cord Length (ft.)	25	50	100	150
Wire Size (AWG)	16	16	14	12

- To reduce the likelihood of disconnection of the extension cord set from the mower, be sure to use the cord restraint provided as well as a modern, tightly fitting extension cord.
- To reduce the risk of electric shock, this lawn mower has a polarized plug (one blade is wider than the other) and will require the use of a polarized extension cord. The mower plug will only fit into the polarized extension cord one way. If the plug does not fit fully into the extension cord, reverse the plug. If the plug still does not fit, obtain a correct polarized extension cord. A polarized extension cord will require the use of a polarized wall outlet. This plug will fit into the polarized outlet only one way. If the plug does not fit fully into the wall outlet, reverse the plug. If the plug still does not fit, contact a qualified electrician to install the proper wall outlet. Do not change the equipment plug, extension cord receptacle, or extension cord plug in any way.
- If extension cord is damaged in any manner during use, disconnect extension cord from house receptacle *before* unplugging mower.
- Circuit Breaker/Fuses—The mower should be operated on a 15 AMP or 20 AMP circuit. If difficulty in starting is experienced with a standard 15 AMP fuse or circuit breaker or the mower's built-in overload protection switch frequently trips, contact your nearest authorized service dealer. Do not use a higher rated circuit breaker or fuse without consulting your power company.
- Do not abuse the cord by pulling the mower by the cord or yanking it to disconnect it from the receptacle. Keep cord from heat, oil, and sharp edges.
- Only use parts and accessories made for this machine by manufacturer. Failure to do so can result in personal injury.
- If situations occur which are not covered in this manual, use care and good judgment. Contact Customer Support for assistance or the name of the nearest service dealer.

SAFETY INSTRUCTIONS

Slope Operation:

Slopes are a major factor related to slip and fall accidents which can result in severe injury. Operation on slopes requires extra caution. If you feel uneasy on a slope, do not mow it. For your safety, use the slope gauge included as part of this manual to measure slopes before operating this machine on a sloped or hilly area. If the slope is greater than 15 degrees, do not mow it.

Do:

1. Mow across the face of slopes; never up and down. Exercise extreme caution when changing direction on slopes.
2. Watch for holes, ruts, rocks, hidden objects, or bumps which can cause you to slip or trip. Tall grass can hide obstacles.
3. Always be sure of your footing. A slip and fall can cause serious personal injury. If you feel you are losing your balance, release the motor/blade control handle immediately, and the blade will stop rotating within three (3) seconds.

Do Not:

1. Do not mow near drop-offs, ditches or embankments, you could lose your footing or balance.
2. Do not mow slopes greater than 15 degrees as shown on the slope gauge.
3. Do not mow on wet grass. Unstable footing could cause slipping.

SERVICE

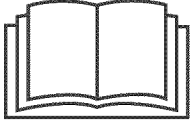






- When servicing mower, use original equipment manufacturer (OEM) replacement parts listed in this manual. "Use of parts which do not meet the original equipment specifications may lead to improper performance and compromise safety!"
- Before cleaning, repairing, or inspecting, make certain the blade and all moving parts have stopped. Disconnect the power cord when not in use and to prevent unintended starting.
- Follow instructions for lubricating and changing accessories.
- Inspect lawn mower cord and extension cords periodically and replace immediately, if damaged. Lawn mower cord should be repaired by an authorized service dealer only.
- Keep handles dry, clean and free from oil and grease.
- To reduce a fire hazard, keep the motor free of grass, leaves and debris build-up.
- Check the blade and motor mounting bolts at frequent intervals for proper tightness. Also, visually inspect blade for damage (e.g., bent, cracked, and worn) Replace blade with the original equipment manufacturer's (OEM) blade only, listed in this manual.
- Maintain your mower with care — Keep mower blade sharp and clean for best and safest performance. Mower blades are sharp and can cut, wrap the blade or wear gloves and use extra caution when servicing them.
- Keep all nuts, bolts, and screws tight to be sure the equipment is in safe working condition.
- Never tamper with safety devices. Check their proper operation regularly.
- After striking a foreign object, stop the motor and disconnect the power cord. Thoroughly inspect the mower for any damage. Repair the damage before operating the mower.
- Grass catcher components, discharge cover, and trail shield are subject to wear and damage which could expose moving parts or allow objects to be thrown. For safety protection, frequently check components and replace immediately with original equipment manufacturer's (OEM) parts only, listed in this manual.
- When not in use, store lawn mower indoors in a dry area, locked-up and/or out of the reach of children.
- Maintain or replace safety and instructional labels, as necessary.
- According to the Consumer Products Safety Commission (CPSC) and the U.S. Environmental Protection Agency (EPA), this product has an *Average Useful Life* of seven (7) years, or 140 hours of operation. At the end of the *Average Useful Life* have the machine inspected annually by an authorized service dealer to ensure that all mechanical and safety systems are working properly and not worn excessively. Failure to do so can result in accidents, injuries or death

SAVE THESE INSTRUCTIONS!


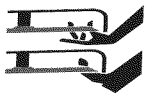




SAFETY INSTRUCTIONS

SAFETY SYMBOLS

This page depicts and describes safety symbols that may appear on this product. Read, understand, and follow all instructions on the machine before attempting to assemble and operate.

Symbol	Description
	READ THE OPERATOR'S MANUAL(S) Read, understand, and follow all instructions in the manual(s) before attempting to assemble and operate.
	DANGER — ROTATING BLADES To reduce the risk of injury, keep hands and feet away. Do not operate unless discharge cover or grass catcher is in its proper place. If damaged, replace immediately.
	DANGER — BYSTANDERS Do not mow when children or others are around.
	DANGER — HAND/ FOOT CUT Keep hands and feet away from rotating parts.
	DANGER — THROWN DEBRIS Remove objects that can be thrown by the blade in any direction. Wear safety glasses.
	DANGER — SLOPES Use extra caution on slopes. Do not mow slopes greater than 15°.
	WARNING— ELECTRICAL SHOCK Do not operate the mower in the rain.

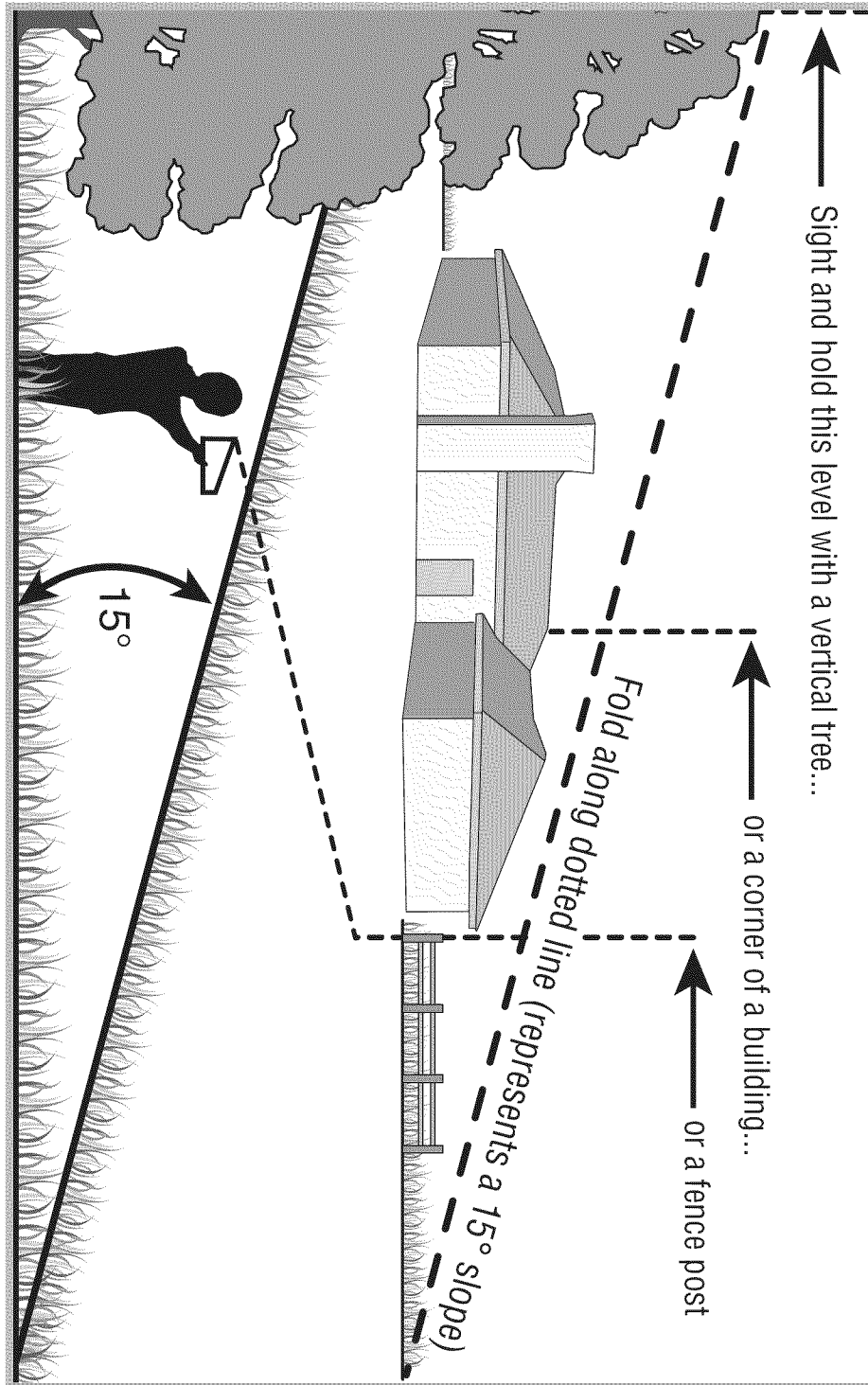
SAFETY LABELS

					
⚠ DANGER			AVOID SERIOUS INJURY OR DEATH		
<ul style="list-style-type: none"> ● TO REDUCE THE RISK OF ELECTRIC SHOCK, DO NOT EXPOSE UNIT TO WATER OR OPERATE UNIT ON WET GROUND. REPLACE DAMAGED CORD IMMEDIATELY. ● DISCONNECT FROM SUPPLY CIRCUIT BEFORE SERVICING OR REMOVING BLADE. ● KEEP HANDS AND FEET AWAY FROM ROTATING PARTS. ● DO NOT MOW WHEN CHILDREN OR OTHERS ARE AROUND. 			<ul style="list-style-type: none"> ● REMOVE OBJECTS THAT CAN BE THROWN BY THE BLADE IN ANY DIRECTION. WEAR SAFETY GLASSES. ● USE EXTRA CAUTION ON SLOPES. DO NOT MOW SLOPES GREATER THAN 15°. MOW ACROSS, NEVER UP AND DOWN. NEVER PULL MOWER CLOSE TO YOUR FEET. LOOK DOWN AND BEHIND BEFORE AND WHILE MOVING BACKWARDS. 		
<p>READ OPERATOR'S MANUAL. KEEP SAFETY DEVICES (BLADE CONTROL, TRAILING SHIELD, DISCHARGE COVER, ETC.) IN PLACE AND WORKING. IF DAMAGED, REPLACE IMMEDIATELY.</p>					
<p>⚠ WARNING</p> <p>WHEN REPAIRING THIS UNIT USE ONLY IDENTICAL REPLACEMENT PARTS. PARTS MUST BE RE-ASSEMBLED IN PROPER ORDER TO MAINTAIN DOUBLE INSULATION PROTECTION. REFER TO REPAIR PARTS SECTION OF YOUR OWNERS MANUAL OR CONTACT YOUR AUTHORIZED SERVICE CENTER.</p>			<p>DOUBLE INSULATED</p> <p>AC ONLY E251550</p> <p>Volts 120 Amps 12 Hertz 60</p> <p> LISTED LAWN MOWERS 26EE</p>		<p>PLACE MODEL PLATE HERE</p>



SLOPE GUIDE

Use this page as a guide to determine slopes where you may not operate safely. **Do not operate** the lawn mower on such slopes.



⚠ WARNING

Do not mow on inclines with a slope in excess of 15 degrees (a rise of approximately 2-1/2 feet every 10 feet). Operate WALK-BEHIND mowers across the face of slopes, never up and down slopes.

⚠ WARNING

This symbol points out important safety instructions which, if not followed, could endanger the personal safety and/or property of yourself and others. Read and follow all instructions in this manual before attempting to operate this machine. Failure to comply with these instructions may result in personal injury. When you see this symbol, HEED ITS WARNING!

This page left intentionally blank.

ASSEMBLY

NOTE: Stand behind the mower as if you were going to operate it. Your right hand corresponds to the right side of the mower; your left hand corresponds to the left side of the mower.

LOOSE PARTS IN CARTON

The following items are packaged loose in the carton:

Operator's Manual, Grass Catcher

REMOVING THE UNIT FROM THE CARTON

1. Cut the corners of the carton and lay the sides flat on the ground. Remove all packing inserts.
2. Move the mower and grass catcher out of the carton.
3. Make certain the carton has been completely emptied before discarding it.

ASSEMBLING THE HANDLE

NOTE: Remove any packing material which may be between upper and lower handles.

1. Loosen each hand knob found on the inside of the upper handle.
2. Gently lift and pivot the upper handle into the operating position as shown in Figure 1. Make certain the lower handle is seated securely into the handle mounting brackets.

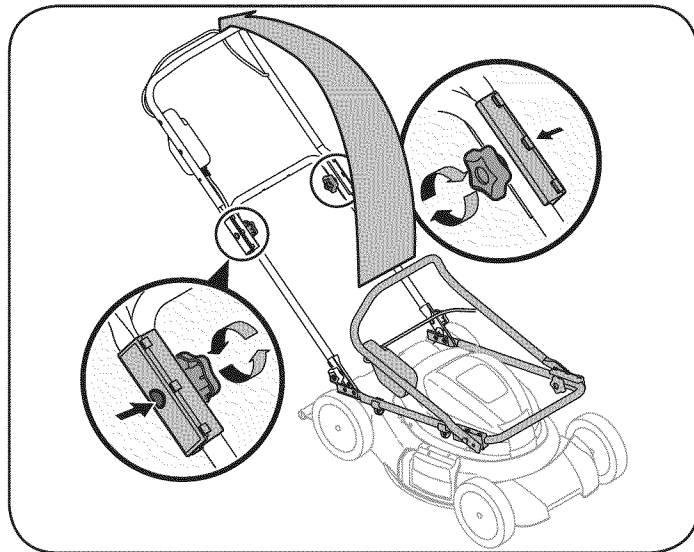


Figure 1

3. Tighten star knobs securing lower handle to handle brackets. See Figure 2. Make certain the lower handle is seated securely into the handle mounting brackets.

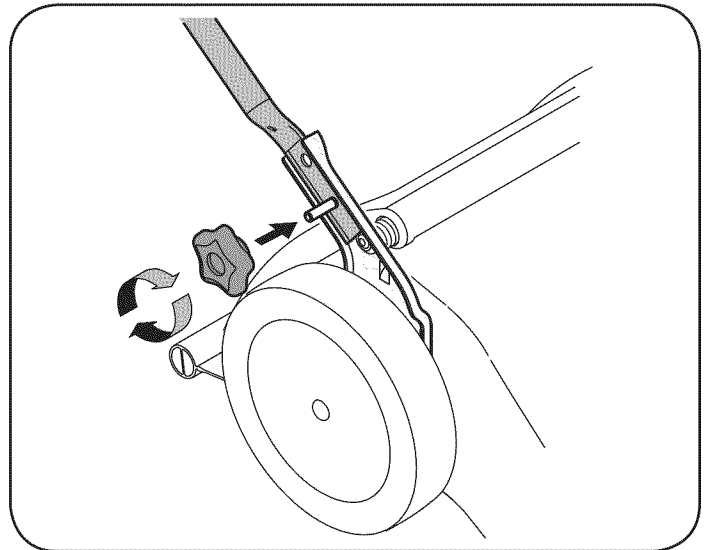


Figure 2

CORD GUIDE BAR

Attach the cord guide bar with extension cord retainer to the upper handle as shown in Figure 3.

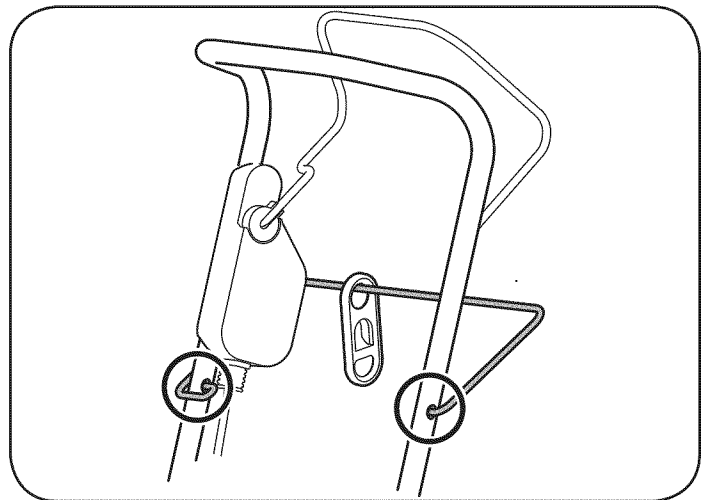


Figure 3

ASSEMBLY

NOTE: Do not plug your extension cord into the power source receptacle (outlet) prior to routing it through the cord retainer and connecting the extension cord to the mower's cord outlet receptacle.

To properly route your extension cord through the cord retainer:

1. Approximately 14 to 16-inches from its end, crease your extension cord to form a tight loop.
2. Push the loop through the bottom hole in the cord retainer. See Figure 4-A.
3. Position the loop over the clip found on the cord retainer and pull down until the cord fits snugly into the clip. See Figure 4-B.

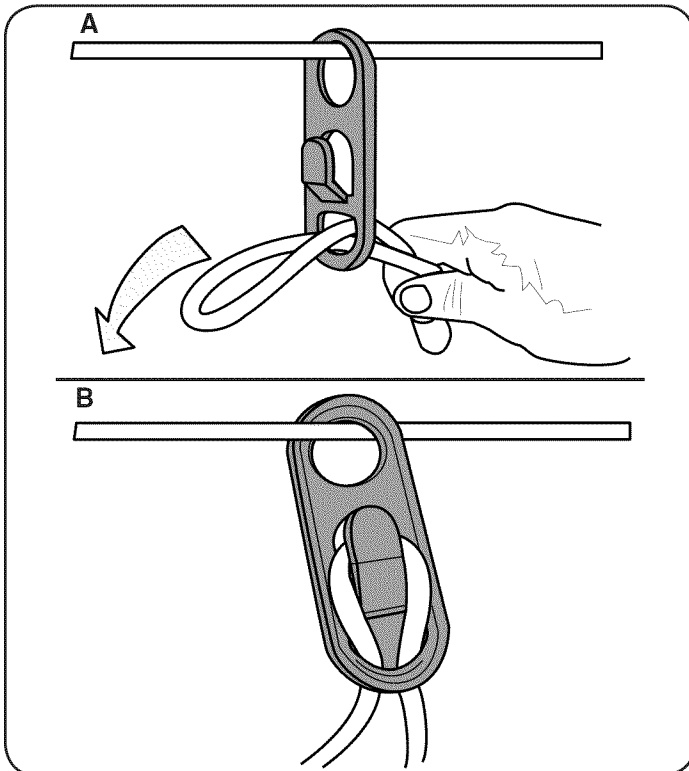


Figure 4

NOTE: Use a UL-approved extension cord. A 100-foot, 14-gauge cord is recommended. A 50-foot, 16-gauge cord is acceptable. Refer to the small chart found in Safe Operation Practices.

The cord retainer and the guide bar work together to secure your extension cord and safely limit its movement. The cord retainer (with the extension cord) will slide along the guide bar as the mower is moved to the left or to the right.

GRASS CATCHER

1. Follow steps below to assemble the grass catcher (if needed). Make certain bag is turned right side out before assembling (warning label will be on the outside).
 - a. Place bag over frame so that its black plastic side is at the bottom.
 - b. Slip plastic channel of grass bag over frame rods. See Figure 5. All the plastic channels except center top of bag attach from outside of bag.
 - c. Attach center top of bag from inside of bag.

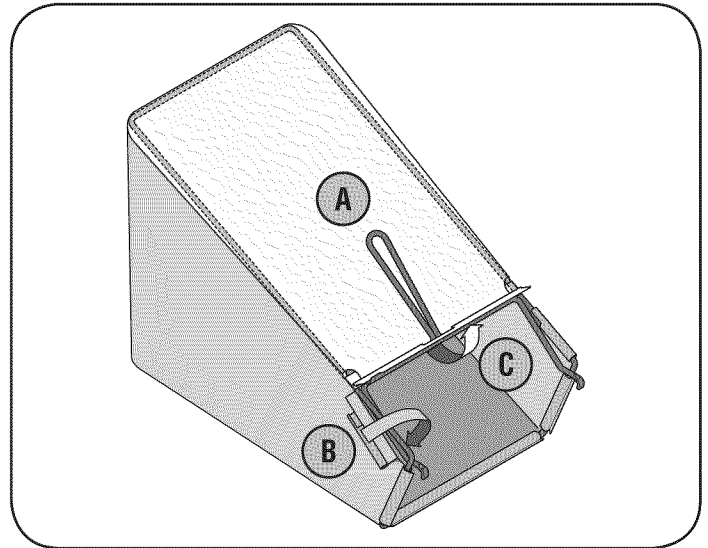


Figure 5

ASSEMBLY

2. Follow steps below to attach grass catcher:
 - a. Lift rear discharge door.
 - b. Remove rear mulching baffle.
 - c. Place grass catcher on the pivot rod. Let go of discharge door so that it rests on the grass catcher. See Figure 6.

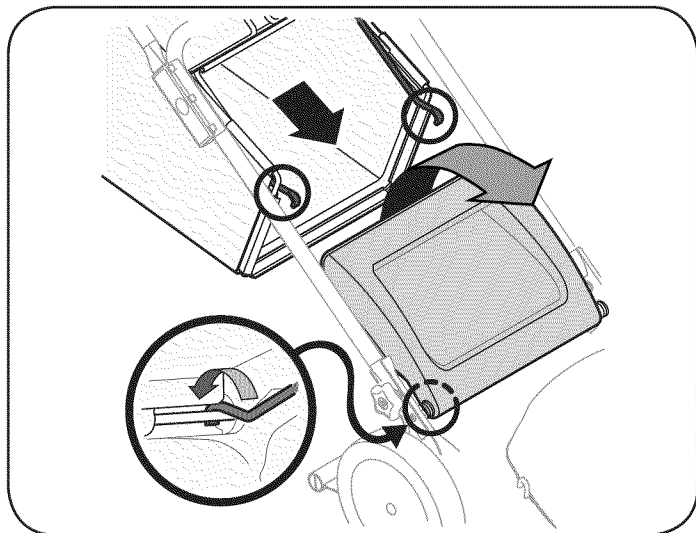


Figure 6

To remove grass catcher, lift rear discharge door on the mower. Lift grass catcher up and out, off of the pivot rod. Release rear discharge door to allow it to close rear opening of mower.

⚠ WARNING

Never operate mower unless the hooks on the grass catcher are firmly seated on the pivot rod and the rear discharge door rests firmly against top of the grass catcher.

CONVERTING TO SIDE DISCHARGE

To convert to side discharge, make sure grass catcher is off of the unit, the rear mulching baffle is installed, and rear discharge door is closed.

1. On the side of the mower, lift the mulching plug.
2. Slide chute hooks under hinge pin on mulching plug assembly. See Figure 7.

NOTE: Do not remove side mulching plug at any time, even when you are not mulching.

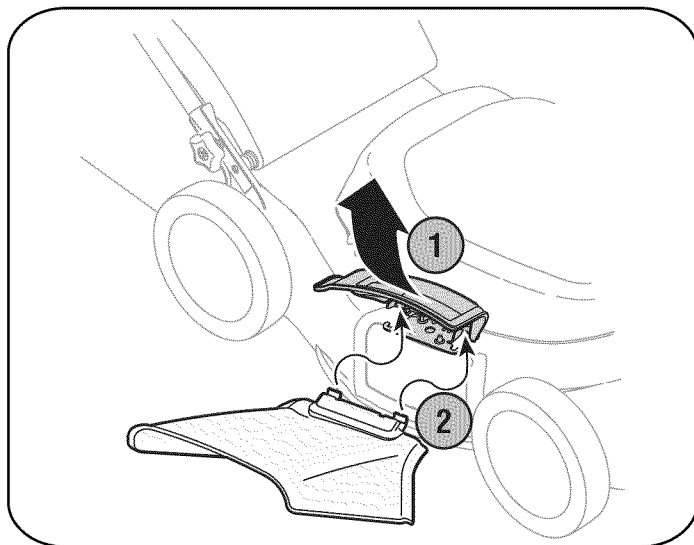


Figure 7

CUTTING HEIGHT ADJUSTMENT

The cutting height adjustment lever is located above the rear left wheel. See Figure 8.

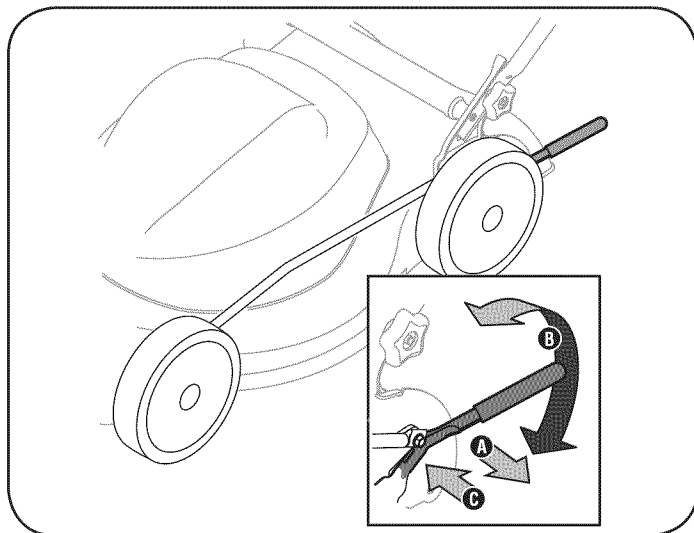


Figure 8

1. Pull the lever out and away from the mower.
2. Move the lever forward or back for desired cutting height.
3. Release lever towards mower deck.

OPERATION

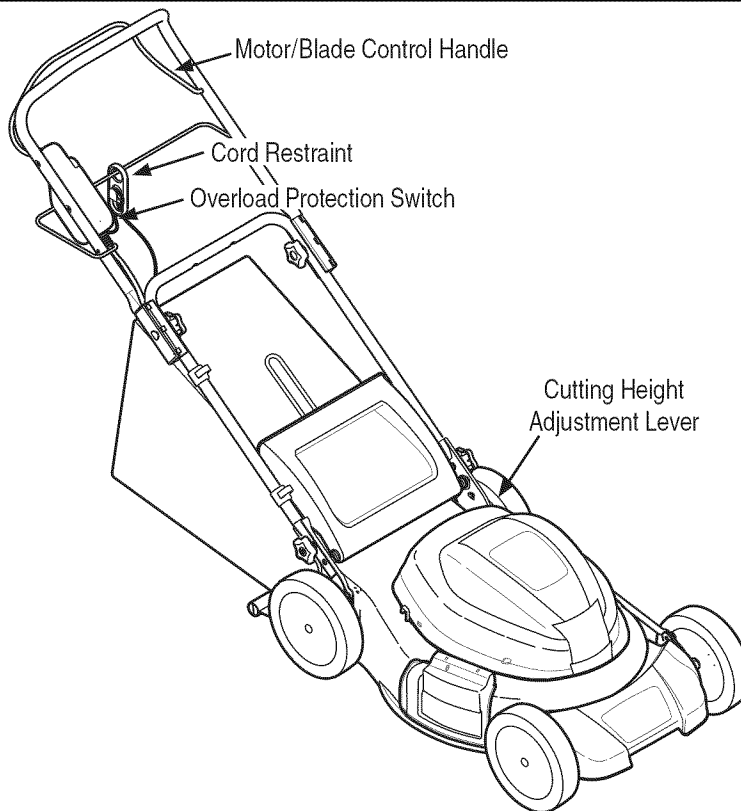


Figure 9

MOTOR/BLADE CONTROL HANDLE

⚠ WARNING

The motor / blade control handle is a safety device. Never attempt to bypass its operations.

The motor/blade control handle is located on the upper handle of the mower. See Figure 9. The motor/blade control handle engages and disengages the motor and blade.

OVERLOAD PROTECTION SWITCH

The mower is equipped with an overload protection switch, located on the motor/blade control. This overload protection switch may pop out when too much strain is placed on the motor. Refer to Maintenance & Adjustments Section to reset this switch.

CORD RESTRAINT

The cord restraint is located on the back of the upper handle, and when used properly, helps to protect the motor/blade control and extension cord powering the unit.

CUTTING HEIGHT ADJUSTMENT LEVER

The cutting height adjustment lever is located above the left rear wheel. To adjust the cutting height, refer to the Assembly Section.

STARTING MOTOR

⚠ WARNING

Avoid accidental starting. Make sure you are in the operating position behind the mower when using it. To avoid serious injury, the operator and unit should be in a stable position while starting.

Connecting to an Electrical Power Source

⚠ WARNING

This mower should be operated on a 15 or 20 AMP circuit. If you experience difficulty in starting with a standard 15 AMP fuse or circuit breaker, contact your nearest Sears or other qualified service dealer. Do not use a higher rated fuse or breaker without consulting your power company.

OPERATION

NOTE: Connect your extension cord to the mower as instructed in the Set Up section prior to plugging your extension cord into an electrical outlet. Refer to Figure 10.

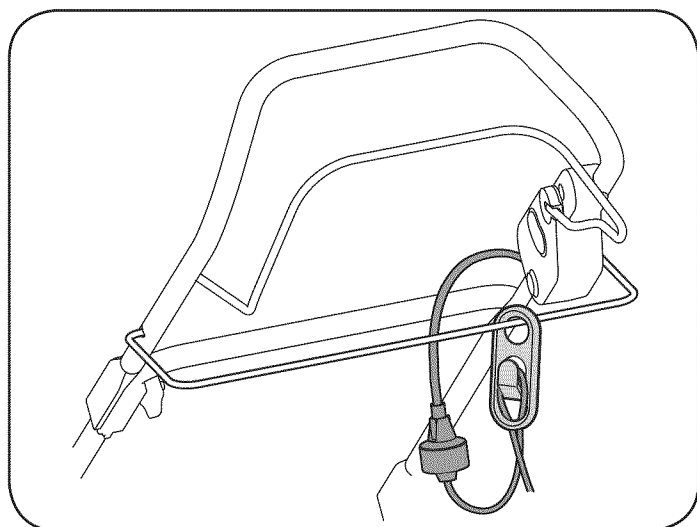


Figure 10

1. Plug your extension cord into any convenient (indoor or outdoor) 120-volt, 60-cycle AC outlet or receptacle. Your mower will operate satisfactorily on a circuit with a 15 ampere breaker.

NOTE: To avoid tripping circuit breakers, select an outlet on a circuit that is not overloaded. Do NOT select an outlet that is on a circuit hosting appliances such as a refrigerator.

2. Stand behind the mower in the operating position.
3. Depress the (red) starter button and hold it in. See Figure 11.

NOTE: Starting the mower's motor also engages the blade.

4. While holding the starter button in, pivot the motor/blade control handle upward against the upper handle to start the motor and engage the blade. See Figure 11.

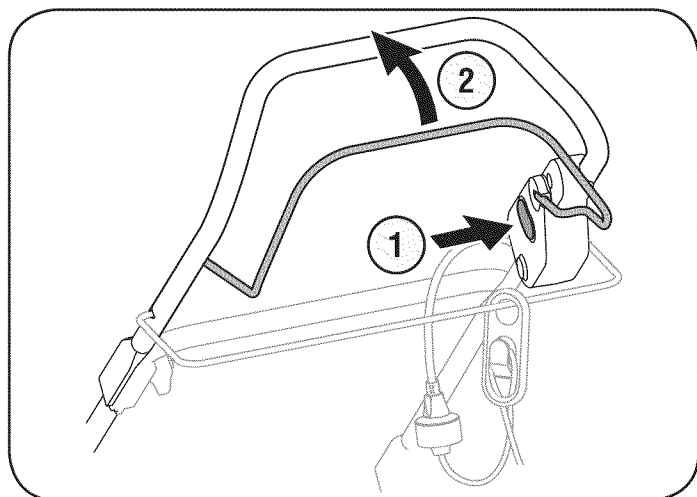


Figure 11

NOTE: The mower's motor will NOT start if you fail to hold the starter button in while pivoting the motor/blade control handle upward.

5. Release the (red) starter button.

STOPPING THE MOTOR

⚠ WARNING

The blade continues to rotate for a few seconds after the motor is shut off. If motor does not come to a stop when the motor/blade control handle is released, contact a Sears or other authorized service dealer.

Release the blade/motor control handle to stop the motor and blade.

USING YOUR LAWN MOWER

Be sure that lawn is clear of stones, sticks, wires, or other objects which could damage the lawn mower or motor. Such objects could be accidentally thrown by the mower in any direction and cause serious personal injury to the operator and others.

⚠ WARNING

If you strike a foreign object, stop the motor, and unplug from the power supply circuit. Thoroughly inspect the mower for any damage, and repair the damage before restarting and operating the mower. Excessive vibration of the mower during operation is an indication of damage. The unit should be promptly inspected and repaired.

- To prevent electric shock, do not operate the mower in damp or wet conditions.
- Always start from the point closest to the power source where the cord is connected. Never mow around the lawn in circles; travel back and forth across the lawn, starting from the point closest to the outlet and then moving away from the outlet so the cord lies in the cut portion of the lawn, out of the way.
- Do not allow the extension cord to wrap around trees, shrubs or other obstacles. When picking up the extension cord, wind the cord in a series of equal loops on each side of your hand to prevent snarling.

USING AS MULCHER

For mulching grass, remove the grass catcher or side discharge chute from the mower. For effective mulching, do not cut wet grass. If the grass has been allowed to grow in excess of four inches, mulching is not recommended. Use the grass catcher to bag clippings instead.

USING GRASS CATCHER

You can use the grass catcher to collect clippings while you are operating the mower.

1. Attach grass catcher following instructions in the Assembly section. Grass clippings will automatically collect in bag as you run mower. Operate mower till grass bag is full.
2. Stop motor completely by releasing the blade/motor control handle. Make sure that the unit has come to a complete stop.
3. Lift discharge door and pull grass bag up and away from the mower to remove the bag. Dispose of the grass clippings and reinstall the bag when complete.

SERVICE AND MAINTENANCE

MAINTENANCE

General Recommendations

- Always observe safety rules when performing any maintenance.
- The warranty on this lawn mower does not cover items that have been subjected to operator abuse or negligence. To receive full value from warranty, operator must maintain the lawn mower as instructed here.
- All adjustments should be checked at least once each season.
- Periodically check all fasteners and make sure these are tight.

⚠ WARNING

Always stop the motor and disconnect from the power source before cleaning, lubricating or performing any repairs or maintenance on the lawn mower.

Lubrication

1. Lubricate the wheels at least once a season with light oil (or motor oil). If wheels are removed for any reason, lubricate surface of the pivot arm and inner surface of the wheel with light oil. See Figure 12.

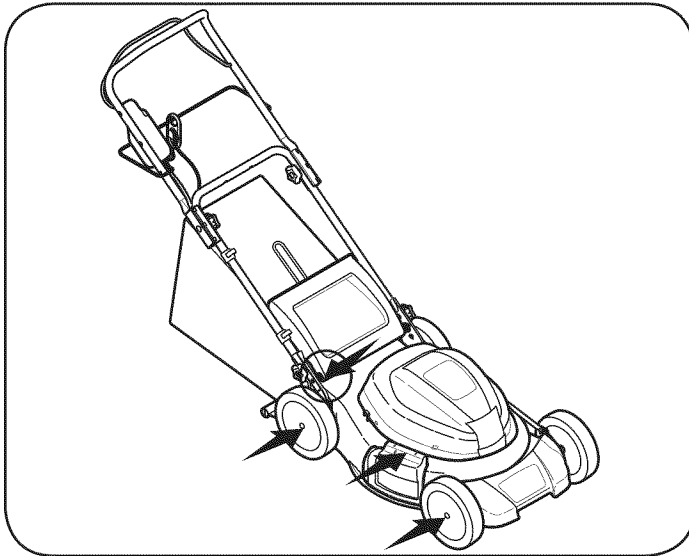


Figure 12

2. Lubricate the torsion spring and pivot point on the rear discharge door and side mulch plug periodically with light oil to prevent rust. See Figure 12.

Deck Care

⚠ WARNING

To reduce the risk of electric shock, do not expose the mower to water.

The underside of mower deck should be cleaned after each use as grass clippings, leaves, dirt and other debris will accumulate. This accumulation of grass clippings, etc., is undesirable as it will promote rust and corrosion.

1. Remove any buildup of grass and leaves on or around the motor cover (do not use water). Wipe the mower clean with a dry cloth occasionally.
2. If debris has built up on the underside of the unit, tilt the mower forward or on its side and scrape it clean with a suitable tool.

IMPORTANT: Do not use a pressure washer or garden hose to clean your unit. These may cause damage to electric components, or the electric motor. The use of water will result in shortened life and reduce serviceability.

Resetting Overload Protection Switch

This mower is equipped with an overload protection switch to prevent overheating damage to the motor.

If the overload protection switch pops out:

1. Release the motor/blade control handle and do NOT restart the mower for at least one minute, allowing the electric motor time to cool.
2. Press the overload protection switch inward to reset. See Figure 13.

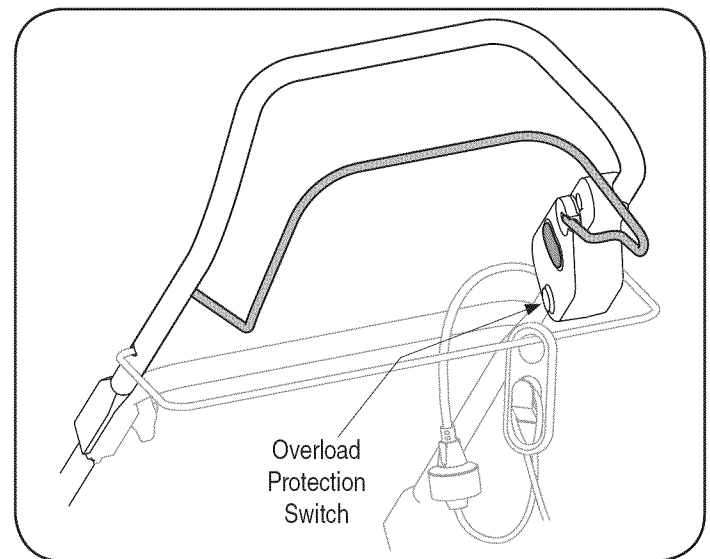


Figure 13

If the overload protection switch pops out shortly after resetting:

1. Release the motor/blade control handle and do NOT restart the mower for at least 15 minutes to allow the electric motor extra time to cool.
2. Press the overload protection switch inward to reset.
3. Restart unit.

NOTE: If the overload protection switch pops out repeatedly during operation or will not remain in when attempting to reset, contact Sears or another qualified service dealer for repair.

SERVICE AND MAINTENANCE

Replacing Trail Shield

⚠ WARNING

Never operate mower unless the trail shield is in place and working. Never operate mower with damaged safety devices. Failure to do so can result in personal injury.

The trail shield is subject to wear and damage which could expose moving parts or allow objects to be thrown. For safety protection, frequently check the trail shield and replace immediately with original equipment manufacturer's (OEM) part only, 931-05686.

1. To remove trail shield, lift rear door and remove screws holding trail shield in place.
2. Press shield in on either side to remove from hole. See Figure 14.

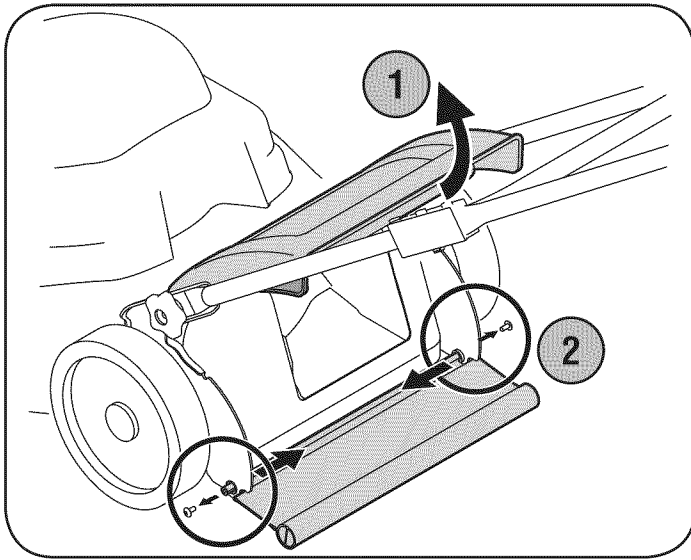


Figure 14

3. Remove shield from opposite hole and replace with new shield in the opposite order and manner of removal.

BLADE CARE

Periodically inspect the blade adapter for cracks, especially if you strike a foreign object. Replace when necessary. Follow the steps below for blade service.

Blade Removal

⚠ WARNING

When removing the cutting blade for sharpening or replacement, protect your hands with a pair of heavy gloves or use a heavy rag to hold the blade. Be certain to stop motor and unplug mower.

1. Stop the motor and unplug the mower. Turn the mower on its side.
2. Place a 2x4 block of wood approximately 8.5" long between the deck housing and the cutting blade to act as a stabilizer. See Figure 15.

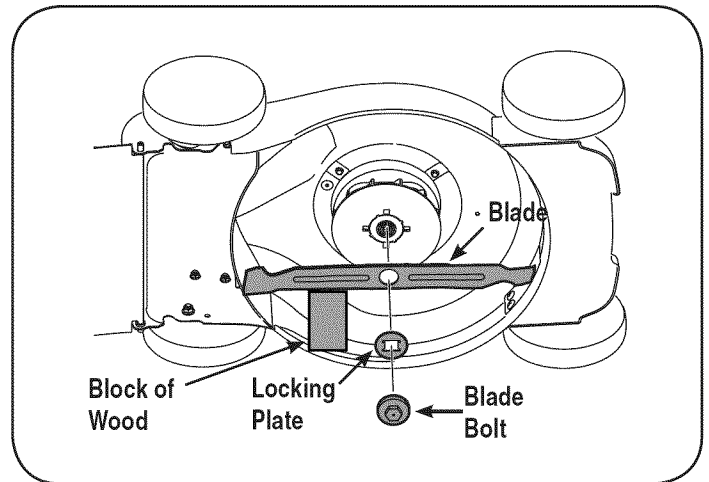


Figure 15

3. Loosen and remove the blade bolt, locking plate, and blade. See Figure 15.

SERVICE AND MAINTENANCE

Blade Sharpening

To properly sharpen the cutting blades, remove equal amounts of metal from both ends of the blades along the cutting edges, parallel to the trailing edge, at a 25° to 30° angle. See Figure 16.

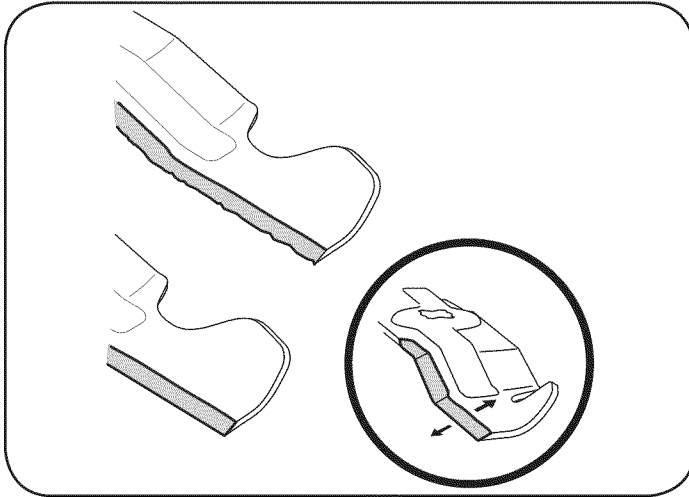


Figure 16

NOTE: It is important that each cutting blade edge be ground equally to maintain proper blade balance. A poorly balanced blade will cause excessive vibration and may cause damage to the mower and result in personal injury. The blade can be tested by balancing it on a round shaft screwdriver. Grind metal from the heavy side until it balances evenly.

Blade Installation

⚠ WARNING

An unbalanced blade will cause excessive vibration when rotating at high speeds. It may cause damage to mower and could break, causing personal injury.

1. Place the cutting blade, locking plate, and blade bolt on the motor shaft and thread the blade bolt in finger tight.

NOTE: Make certain to replace the parts in the exact order in which they were removed. When installing the cutting blade, be sure it is installed with the curved ends pointing towards the mower deck and not towards the ground.

2. Torque the blade bolt down using a torque wrench to assure the bolt is tightened properly. The recommended torque for the blade bolt is 170-220 in. lbs.

To ensure safe operation of your mower, periodically check the blade bolt for correct torque.

MAINTENANCE SCHEDULE

⚠ WARNING

Always stop the motor and unplug mower before cleaning, lubricating or performing any repairs or maintenance on the lawn mower. Always wear safety glasses during operation or while performing any adjustments or repairs.

Follow the maintenance schedule given below. This chart describes service guidelines only. Use the Service Log column to keep track of completed maintenance tasks. **To locate the nearest Sears Service Center or to schedule service, simply contact Sears at 1-800-4-MY-HOME®.**

Interval	Item	Service	Service Log
Each Use	<ol style="list-style-type: none"> 1. Mower blades 2. Loose or missing hardware 3. Controls 4. Motor 5. Deck 	<ol style="list-style-type: none"> 1. Sharpen as required 2. Tighten or replace 3. Check for proper operation 4. Remove any buildup of grass and leaves on or around the motor cover (do not use water). 5. Clean underside of deck with a suitable tool (do not use water). 	
Annually or 25 hours	<ol style="list-style-type: none"> 1. Wheels 2. Rear discharge door and side mulch plug 3. Mower blades 	<ol style="list-style-type: none"> 1. Lube with light oil 2. Lube torsion spring and pivot point with light oil. 3. Sharpen and balance 	

OFF-SEASON STORAGE

OFF-SEASON STORAGE

The following steps should be taken to prepare your lawn mower for storage:

- Clean and lubricate mower thoroughly as described in the lubrication instructions.
- Remove any buildup of grass and leaves on or around the motor cover (do not use water). Wipe the mower clean with a dry cloth.
- We do not recommend the use of a pressure washer or garden hose to clean your unit.
- Make certain the power supply is disconnected.
- Coat mower's cutting blade with chassis grease to prevent rusting.
- Store mower in a dry, clean area. Do not store next to corrosive materials, such as fertilizer.
- Wipe extension cord to remove any foreign substance such as oil or stains. Replace extension cord if cut or damaged in any way.
- Wind cord in a series of equal loops on each side of your hand to prevent snarling.

TROUBLESHOOTING

WARNING

Always stop the motor and unplug mower before cleaning, lubricating or performing any repairs or maintenance on the lawn mower. Always wear safety glasses during operation or while performing any adjustments or repairs.

Problem	Cause	Remedy
Motor fails to start	<ol style="list-style-type: none"> 1. Cord disconnected from the motor/blade control. 2. Motor/blade control defective. 3. Extension cord not connected to the plug on the mower. 4. Extension cord not connected to a source of power. 5. Overload protection switch on the mower or circuit breaker in the house receptacle tripped. 	<ol style="list-style-type: none"> 1. Reconnect the cord, keeping the cord restraint close to the motor/blade control. 2. Take mower to Sears or other qualified service dealer to have motor/blade control replaced with original equipment manufacturer's (OEM) part only, 931-05686. 3. Connect the extension cord to the plug on the mower. 4. Connect the extension cord to a 110-120 volt 60 hertz A.C. receptacle. 5. Reset the overload protection switch following instructions in the Service And Maintenance section of this manual.
Circuit breaker on the mower tripping	<ol style="list-style-type: none"> 1. Too much workload on the mower. 2. Fuse blown; outlet overloaded. 	<ol style="list-style-type: none"> 1. Raise the cutting height, reset the circuit breaker on the mower, take a smaller width of cut, and walk slowly. 2. Connect to an outlet that is fused for 15 amperes. Reset the circuit breaker and start the mower again.
Mower cutting grass unevenly	<ol style="list-style-type: none"> 1. Lawn rough or uneven. 	<ol style="list-style-type: none"> 1. Move the wheels to a higher cutting height position.
Mower not mulching properly	<ol style="list-style-type: none"> 1. Wet grass clippings stick to the underside of the deck. 	<ol style="list-style-type: none"> 1. Wait till the grass dries before mowing.
Hard to push	<ol style="list-style-type: none"> 1. High grass or cutting height too low. 2. Rear of mower housing and blade dragging in heavy grass. 	<ol style="list-style-type: none"> 1. Raise cutting height. 2. Raise cutting height.
Mower vibrating at higher speed	<ol style="list-style-type: none"> 1. Bent motor shaft. 2. Cutting blade is unbalanced. 3. Blade is loose. 	<ol style="list-style-type: none"> 1. Stop the motor, disconnect the power source and inspect for damage. Repair before restarting. If vibration persists, take it to a service dealer. 2. Balance the blade by grinding each cutting edge equally. 3. Tighten blade bolt to 170-220 in. lbs.
Cord disconnects frequently	<ol style="list-style-type: none"> 1. Extension cord is not properly attached to the cord restraint. 2. Old, worn, or loose extension cord. 	<ol style="list-style-type: none"> 1. Reconnect the extension cord to the cord restraint on the guide rod. 2. Replace extension cord.
Handle not in position	<ol style="list-style-type: none"> 1. Carriage bolts not seated in the handle insulators. 	<ol style="list-style-type: none"> 1. Adjust the height of the handle and make sure that the carriage bolts are seated properly into the handle insulators. Tighten the hand knobs.

NEED MORE HELP?

You'll find the answer and more on managemyhome.com – for free!

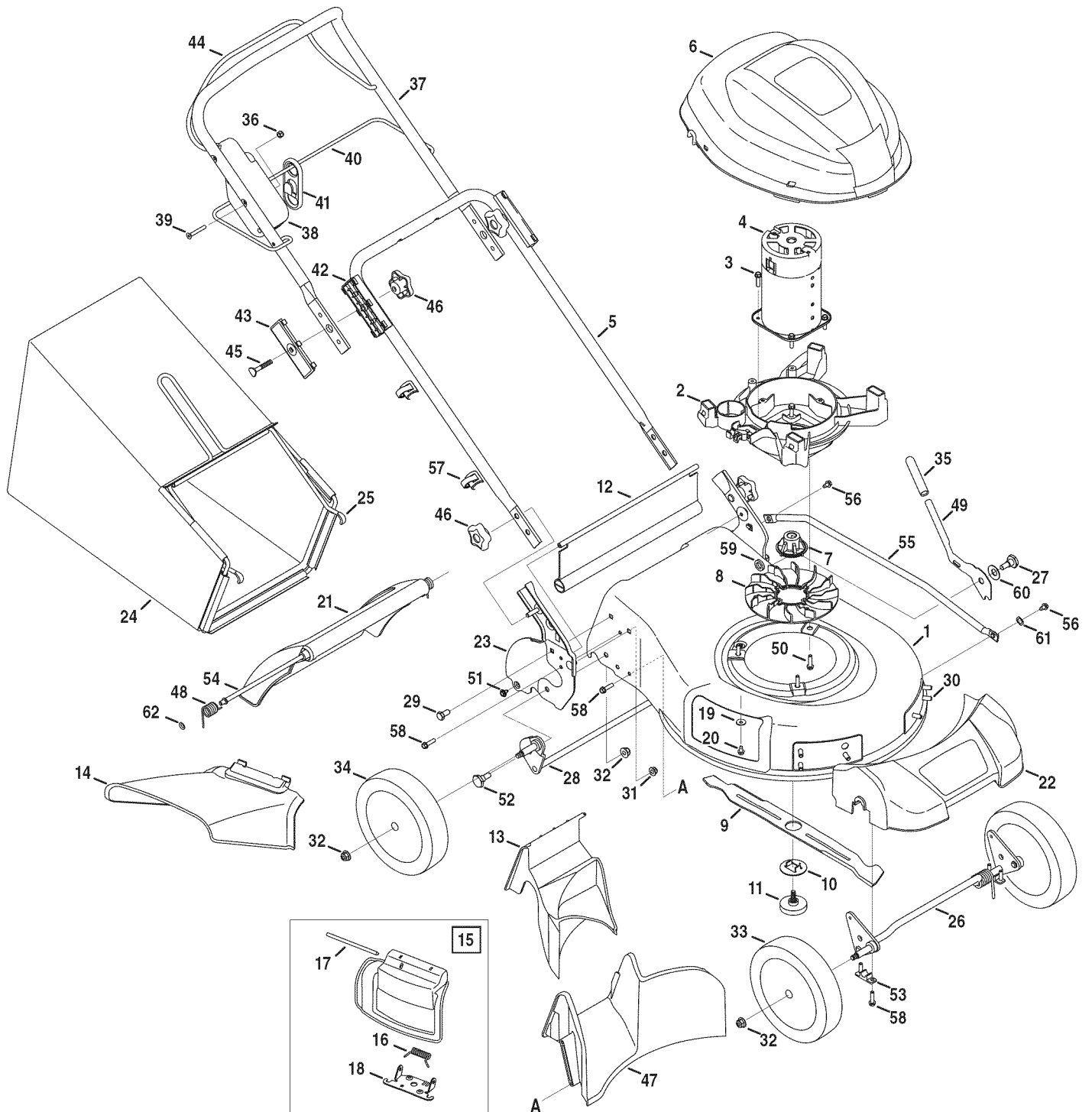
- Find this and all your other product manuals online.
- Get answers from our team of home experts.
- Get a personalized maintenance plan for your home.
- Find information and tools to help with home projects.

manage my home

brought to you by Sears

PARTS LIST

19-inch Electric Rotary Mower — Model No. 247.370160



PARTS LIST

19-inch Electric Rotary Mower — Model No. 247.370160

Ref.	Part No.	Description	Ref.	Part No.	Description
1	787-01649-0721	19" Deck	32	712-04065	Nut, Flange Lock, 3/8-16
2	731-05727	Motor Bracket	33	734-1988	Front Wheel
3	710-0895	Screw, 1/4-15 x .750	34	734-1987	Rear Wheel
4	924-04010	Electric Motor, 120V	35	720-0230	Foam Grip
5	749-04312	Lower Handle	36	712-0324	Nut, Hex Lock, 1/4-20
6	731-05749	Motor Shroud	37	749-04353	Upper Handle
7	631-04228	Blade Hub	38	925-04035	Motor/Blade Control
8	731-05832	Electric Fan	39	753-04430	Screw, Flat, 1/4-20 x 1.75
9	942-04152	Mulching Blade	40	747-04672	Guide Rod
10	782-7051	Blade Locking Plate	41	726-0368-0637	Cord Retainer
11	624-0078	Blade Bolt Assembly	42	731-05186	Lower Handle Insulator
12	731-05639A	Trail Shield	43	731-05178	Upper Handle Insulator
13	731-05746	Rear Mulch Plug	44	747-04663A	Motor/Blade Control Handle
14	731-04177	Side Discharge Chute	45	710-0572	Bolt Carriage, 5/16-18 x 2.50
15	987-02055	Mulch Plug (Incl. 16-18)	46	720-04072A	Star Knob
16	732-1014	Torsion Spring	47	731-05710A	Rear Baffle
17	747-0710	Hinge Pin	48	732-04534	Door Torsion Spring - RH
18	17032A	Chute Deflector Adapter	—	732-04535	Door Torsion Spring - LH
19	736-0270	Washer, Bell, .265 x .75 x .062	49	732-04377C	Spring Lever
20	710-0599	Screw	50	710-0726	Screw, 5/16-12 x .750
21	931-05686	Rear Door	51	710-0779A	Screw, #10-16 x .500
22	931-05634	Front Cover	52	938-0507B	Screw, Shoulder, .500 Dia. x .434
23	687-02325-0637	Handle Bracket - RH	53	741-0492A	Bushing, Lock, .505 Dia. x .62
—	687-02324-0637	Handle Bracket - LH	54	747-04589	Rear Door Pivot Rod
24	964-04077	Grass Bag	55	749-04356-0637	Cross Bracket
25	647-04107-0637	Grass Bag Frame	56	738-04278	Screw, Shoulder, 1/4-20 x .50
26	687-02225-0637	Front Bracket Assembly	57	731-2422	Cable Guide
27	938-0148	Screw, Shoulder, .50 x .66	58	710-1241	Screw, 1/4-15 x 1.000
28	687-02228-0637	Rear Bracket Assembly	59	731-05880	Spacer, .515 x 1.00 x .310
29	710-3025	Screw, 5/16-18 x .625	60	936-0255	Washer, Bell, .510 x 1.14 x .040
30	710-1242	Screw, 5/16-14 x .750	61	736-04413	Washer, Wave, .390 x .825 x .016
31	712-04063	Nut, Flange Lock, 5/16-18	62	726-0201	Nut, Speed, .3125 ID

LABELS

777S32911



777I22747



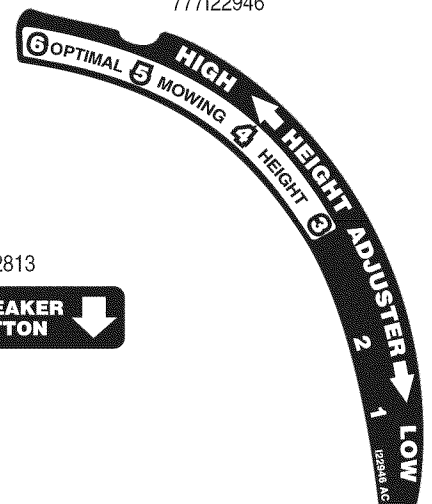
777D13261



777D11051



777I22946



777I22813



777S32816

⚠ DANGER		AVOID SERIOUS INJURY OR DEATH		
<ul style="list-style-type: none"> TO REDUCE THE RISK OF ELECTRIC SHOCK, DO NOT EXPOSE UNIT TO WATER OR OPERATE UNIT ON WET GROUND. REPLACE DAMAGED CORD IMMEDIATELY. DISCONNECT FROM SUPPLY CIRCUIT BEFORE SERVICING OR REMOVING BLADE. KEEP HANDS AND FEET AWAY FROM ROTATING PARTS. DO NOT MOW WHEN CHILDREN OR OTHERS ARE AROUND. 		<ul style="list-style-type: none"> REMOVE OBJECTS THAT CAN BE THROWN BY THE BLADE IN ANY DIRECTION. WEAR SAFETY GLASSES. USE EXTRA CAUTION ON SLOPES. DO NOT MOW SLOPES GREATER THAN 15°. MOW ACROSS, NEVER UP AND DOWN. NEVER PULL MOWER CLOSE TO YOUR FEET. LOOK DOWN AND BEHIND BEFORE AND WHILE MOVING BACKWARDS. 		
READ OPERATOR'S MANUAL. KEEP SAFETY DEVICES (BLADE CONTROL, TRAILING SHIELD, DISCHARGE COVER, ETC.) IN PLACE AND WORKING. IF DAMAGED, REPLACE IMMEDIATELY.				
⚠ WARNING		DOUBLE INSULATED		
WHEN REPAIRING THIS UNIT USE ONLY IDENTICAL REPLACEMENT PARTS. PARTS MUST BE RE-ASSEMBLED IN PROPER ORDER TO MAINTAIN DOUBLE INSULATION PROTECTION. REFER TO REPAIR PARTS SECTION OF YOUR OWNERS MANUAL OR CONTACT YOUR AUTHORIZED SERVICE CENTER.		AC ONLY E251550	Volts 120	Amps 12
			Hertz 60	
		LISTED LAWN MOWERS 28EE	PLACE MODEL PLATE HERE	

REPAIR PROTECTION AGREEMENT

Congratulations on making a smart purchase. Your new Craftsman® product is designed and manufactured for years of dependable operation. But like all products, it may require repair from time to time. That's when having a Repair Protection Agreement can save you money and aggravation.

Here's what the Repair Protection Agreement* includes:

- **Expert service** by our 10,000 professional repair specialists
- **Unlimited service and no charge** for parts and labor on all covered repairs
- **Product replacement** up to \$1500 if your covered product can't be fixed
- **Discount of 10%** from regular price of service and related installed parts not covered by the agreement; also, 10% off regular price of preventive maintenance check
- **Fast help by phone** – we call it Rapid Resolution – phone support from a Sears representative. Think of us as a “talking owner's manual.”

Once you purchase the Agreement, a simple phone call is all that it takes for you to schedule service. You can call anytime day or night, or schedule a service appointment online.

The Repair Protection Agreement is a risk-free purchase. If you cancel for any reason during the product warranty period, we will provide a full refund. Or, a prorated refund anytime after the product warranty period expires. Purchase your Repair Protection Agreement today!

Some limitations and exclusions apply. For prices and additional information in the U.S.A. call 1-800-827-6655.

***Coverage in Canada varies on some items. For full details call Sears Canada at 1-800-361-6665.**

Sears Installation Service

For Sears professional installation of home appliances, garage door openers, water heaters, and other major home items, in the U.S.A. or Canada call **1-800-4-MY-HOME®**.

ÍNDICE

Declaración de garantía	24	Servicio y Mantenimiento	38
Instrucciones de seguridad.....	25	Almacenamiento fuera de temporada	41
Guía de cuesta	29	Solución de problemas	42
Montaje	32	Piezas de Reemplazo.....	20 (Manual inglés)
Operación.....	35	Número de servicio	Cubierta posterior

DECLARACIÓN DE GARANTÍA

Garantía de dos años de Craftsman

Si este producto Craftsman falla debido a un defecto en los materiales o la mano de obra dentro de los dos años de la fecha de compra, sírvase devolverlo a cualquier tienda Sears, Centro de servicio Sears, u otro punto de venta Craftsman en los Estados Unidos para su reparación sin cargo.

Esta garantía no cubre:

- Artículos de duración limitada que pueden desgastarse bajo condiciones normales de uso durante el período de garantía, tales como correas y cuchillas de cortadora rotativas.
- Las reparaciones requeridas debido a abuso o negligencia del operador, incluyendo abolladuras del cigüeñal y no operar o mantener el equipo de acuerdo con las instrucciones suministradas.

Esta garantía sólo tendrá validez durante 90 días si este producto se utiliza en cualquier momento para fines comerciales o de alquiler.

Esta garantía sólo tendrá validez mientras el producto se utilice en los Estados Unidos.

Esta garantía le otorga derechos legales específicos, pero usted podría gozar de otros derechos en razón de su lugar de residencia.

Sears, Roebuck and Co., Hoffman Estates, IL 60179

ESPECIFICACIONES DEL PRODUCTO

Motor:

12 Amperes

NÚMERO DE MODELO

Número de modelo _____

Número de serie _____

Fecha de compra _____

Registre el número de modelo, número de serie y fecha de compra más arriba.

INSTRUCCIONES DE SEGURIDAD

⚠️ ADVERTENCIA



La presencia de este símbolo indica que se trata de instrucciones de seguridad importantes que debe respetar para evitar poner en riesgo su seguridad personal y/o material y la de los demás.

Lea y siga todas las instrucciones de este manual antes de poner en funcionamiento esta máquina. Si no respeta estas instrucciones puede provocar lesiones personales. Cuando vea este símbolo, ¡TENGA EN CUENTA LA ADVERTENCIA!

Su responsabilidad: Restrinja el uso de esta máquina motorizada a las personas que lean, comprendan y respeten las advertencias e instrucciones que figuran en este manual y sobre la máquina.

⚠️ PELIGRO

Esta máquina está diseñada para ser utilizada respetando las reglas de seguridad contenidas en este manual. Al igual que con cualquier tipo de equipo motorizado, un descuido o error por parte del operador puede producir lesiones graves. Esta máquina es capaz de amputar manos y pies y de arrojar objetos con gran fuerza. De no respetar las instrucciones de seguridad siguientes se pueden producir lesiones graves o la muerte.

⚠️ ADVERTENCIA

Cuando se utilizan cortadoras de césped eléctricas, se deben cumplir siempre las precauciones básicas de seguridad para reducir la posibilidad de incendios, descargas eléctricas y lesiones personales. Estas precauciones básicas incluyen:

Cortadora de césped con aislamiento doble



El doble aislamiento es un concepto de seguridad de las cortadoras de césped, que elimina la necesidad de tener un cable de alimentación de tres hilos con conexión a tierra y un sistema de alimentación con conexión a tierra. En cualquier lugar de la cortadora donde llega corriente eléctrica, hay dos juegos completos de aislamiento para proteger al usuario. Todas las piezas metálicas expuestas están aisladas de los componentes metálicos internos del motor con aislamiento protector.

El mantenimiento de una cortadora de césped con doble aislamiento requiere mucho cuidado y conocimiento del sistema y sólo debería ser efectuado por un técnico capacitado. Sugerimos que lleve la cortadora a su distribuidor de servicio autorizado más cercano para cualquier reparación. Cuando efectúe el mantenimiento, utilice siempre piezas de reemplazo del fabricante original del equipo (OEM).

Funcionamiento

Funcionamiento general:

- Lea y siga todas las instrucciones contenidas en este manual antes de intentar armar esta máquina. Lea, comprenda y respete todas las instrucciones que figuran en la máquina y en el o los manuales antes de hacerla funcionar. Guarde este manual en un lugar seguro para consultas futuras y periódicas, así como para solicitar repuestos.
- Antes de hacer funcionar esta máquina, familiarícese totalmente con los controles y el uso correcto de la misma.
- Esta máquina es un equipo motorizado de precisión, no un juguete. Por lo tanto, tenga mucho cuidado en todo momento. Esta máquina fue diseñada para realizar una tarea: cortar el césped. No la utilice para ningún otro fin.
- No permita nunca que los niños menores de 14 años utilicen esta máquina. Los niños de 14 años en adelante deben leer y entender las instrucciones de operación y normas de seguridad contenidas en este manual y en la máquina y deben ser entrenados y supervisados por un adulto.
- Sólo se debe permitir usar esta máquina a individuos responsables y familiarizados con sus reglas de seguridad.
- Inspeccione minuciosamente el área donde utilizará el equipo. Retire todas las piedras, palos, alambre, huesos, juguetes y otros objetos extraños que podrían hacer tropezar o ser recogidos y arrojados por la acción de la cuchilla. Los objetos arrojados por la máquina pueden producir lesiones graves.
- Planifique el patrón de corte a seguir para evitar descargar el material en los caminos, las veredas, los observadores, etc. Evite además descargar material contra una pared u obstrucción. lo que podría hacer que el material descargado rebote contra el operador.
- Para prevenir el contacto con la cuchilla o una lesión por un objeto arrojado, manténgase en la zona del operador detrás de las manijas y mantenga a los niños, observadores, ayudantes y mascotas apartados al menos 25 metros de la cortadora mientras está funcionando. Detenga la máquina si alguien entra en el área.
- Para protegerse los ojos utilice siempre anteojos o antiparras de seguridad mientras opera la máquina y mientras hace ajustes o la repara. Los objetos arrojados que rebotan pueden producir lesiones oculares graves.
- Utilice zapatos de trabajo resistentes, con suela rugosa y pantalones y camisas ajustados. Se recomienda vestir camisas y pantalones que cubran brazos y piernas y usar zapatos con puntera reforzada. Nunca opere esta máquina descalzo, con sandalias, zapatos resbalosos o livianos (por ej. de lona).
- No ponga las manos o los pies cerca de las piezas giratorias ni debajo de la plataforma de corte. El contacto con las cuchillas puede producir la amputación de manos y pies.
- Un canal de descarga faltante o dañado puede provocar lesiones por contacto con la cuchilla o con objetos arrojados.
- Muchas lesiones ocurren como resultado de pasar la cortadora sobre los pies durante una caída luego de resbalar o tropezar. No se sostenga de la cortadora si se está cayendo; suelte la manija inmediatamente.

INSTRUCCIONES DE SEGURIDAD

- Nunca tire de la cortadora hacia sí mientras camina. Si debe retroceder con la cortadora para evitar una pared u obstáculo, mire primero hacia abajo y atrás para evitar tropezarse y luego siga estos pasos:
 - a. Apártese de la cortadora hasta estirar completamente los brazos.
 - b. Asegúrese que está bien equilibrado y bien parado.
 - c. Jale la cortadora lentamente hacia sí, no más de la mitad de la distancia entre usted y la cortadora.
 - d. Repita estos pasos tantas veces como sea necesario.
- No haga funcionar esta cortadora bajo los efectos del alcohol o las drogas.
- Manténgase alerta: Mire lo que está haciendo. Utilice el sentido común. No haga funcionar la cortadora si está cansado.
- La manija de control del motor/la cuchilla es un dispositivo de seguridad. Nunca intente evitar su funcionamiento. De hacerlo, dejarían de operar los dispositivos de seguridad y podrían producirse lesiones personales por el contacto con la cuchilla giratoria. La manija de control del motor/la cuchilla debe funcionar fácilmente en ambas direcciones y regresar automáticamente a la posición desenganchada cuando se la suelta.
- Nunca haga funcionar la cortadora en la lluvia o sobre el césped húmedo o mojado. Asegúrese siempre de estar bien parado. Si resbala y cae puede lesionarse seriamente. Si siente que pierde el equilibrio, suelte inmediatamente la manija de control del motor/la cuchilla y la cuchilla dejará de rotar en tres segundos.
- Corte el césped solamente con luz de día o con una buena luz artificial. Camine, nunca corra.
- Detenga el motor/la cuchilla cuando cruce sendas, senderos o caminos de grava.
- Si la máquina comenzara a vibrar de manera anormal, detenga el motor, y busque inmediatamente la causa. Por lo general la vibración es una advertencia de algún problema.
- Apague el motor y espere hasta que la cuchilla se detenga completamente antes de retirar el colector de césped o destapar el canal. La cuchilla continúa rotando por unos cuantos segundos después que el motor se ha apagado. Nunca coloque ninguna parte del cuerpo en el área de la cuchilla hasta que esté seguro de que la misma ha detenido su movimiento giratorio.
- Nunca haga funcionar la cortadora sin el correspondiente escudo posterior, el canal de descarga, el colector de césped, la manija de control del motor/la cuchilla y otros dispositivos de seguridad y protección colocados y funcionando. Nunca opere la cortadora si los dispositivos de seguridad están dañados. De lo contrario, pueden producirse lesiones personales.
- Se deben proteger contra fugas a tierra con un Interruptor diferencial (GFCI) los circuitos o tomas que se usarán para la cortadora de césped. Hay en existencia receptáculos con protección GFCI incorporada y se pueden utilizar para esta medida de seguridad.
- Para prevenir las descargas eléctricas utilice únicamente un prolongador certificado por UL adecuado para uso en exteriores, como por ejemplo tipo SW-A, SOW-A, STW-A, STOW-A, SJW-A, SJOW-A, SJTW-A, o SJTOW-A.

- Prolongador—Asegúrese de que su prolongador está en buen estado y tiene suficiente resistencia para transportar la carga de corriente que consumirá su cortadora de césped. Si tiene dudas, utilice un cable del siguiente calibre más resistente. Cuanto menor es el número de calibre, más resistente es el cable. Un cable de calibre insuficiente provocará una caída en la tensión de la línea que causará pérdida de alimentación y recalentamiento.

CALIBRE MÍNIMO DE CABLE PROLONGADOR PARA ARTEFACTOS DE 120 V QUE UTILIZAN 10 - 12 AMP				
Longitud del cable (pies)	25	50	100	150
Calibre del hilo (AWG)	16	16	14	12

- Para reducir la posibilidad de desconexión del prolongador desde la cortadora, asegúrese de utilizar el limitador de cable suministrado junto con un prolongador moderno y bien ajustado.
- Para reducir la posibilidad de descarga eléctrica, esta cortadora de césped tiene un enchufe polarizado (una cuchilla es más ancha que la otra) y exigirá el uso de un prolongador polarizado. El enchufe de la cortadora sólo calzará de una manera en el prolongador polarizado. Si el enchufe no calza totalmente en el prolongador, inviértalo. Si continúa sin calzar bien, obtenga el prolongador polarizado que corresponde. El prolongador polarizado requiere el uso de un tomacorriente de pared polarizado. Este enchufe calzará en el tomacorriente polarizado de una sola manera. Si el enchufe no calza totalmente en el tomacorriente, inviértalo. Si continúa sin calzar bien, póngase en contacto con un electricista capacitado para instalar el tomacorriente de pared adecuado. No haga ningún cambio en el enchufe del equipo, el receptáculo del prolongador o el enchufe del prolongador.
- Si el prolongador sufre algún daño durante el uso, desconecte el prolongador del tomacorriente doméstico *antes* de desenchufar la cortadora.
- Disyuntores/Fusibles—La cortadora se debe utilizar en un circuito de 15 ó 20 AMP. Si se experimentan dificultades al arrancar con un fusible o disyuntor de 15 AMP estándar, o si el interruptor de protección contra sobrecarga incorporado se desconecta con frecuencia, póngase en contacto con su distribuidor de servicio autorizado más cercano. No utilice un disyuntor o fusible con mayor potencia nominal sin consultar antes con su compañía eléctrica.
- No abuse del cable arrastrando la cortadora por el cable o tironeando para desconectarlo del receptáculo. Mantenga el cable protegido del calor, aceite y bordes filosos.
- Utilice solamente partes y accesorios manufacturados especialmente para esta máquina por el fabricante. Si no lo hace, pueden producirse lesiones personales.
- Si se presentan situaciones que no están previstas en este manual, tenga cuidado y use el sentido común. Póngase en contacto con Asistencia al Cliente para solicitar ayuda o el nombre del distribuidor de servicio más cercano.

INSTRUCCIONES DE SEGURIDAD

Funcionamiento en pendientes

Las pendientes son un factor importante que se relaciona con los accidentes producidos por derrapes y caídas y que pueden producir lesiones graves. La operación en pendientes requiere mucha precaución. Si no se siente seguro en una pendiente, no corte el césped. Para su seguridad, use el indicador de pendientes que se incluye como parte de este manual para medir la pendiente antes de operar la máquina en una zona inclinada. Si la pendiente supera los 15 grados, no corte el césped.

Haga lo siguiente:

- Corte en sentido transversal a la cara de la pendiente, nunca hacia arriba y abajo. Tenga mucho cuidado al cambiar de dirección en una pendiente.
- Esté atento a los agujeros, raíces, rocas, objetos ocultos o abultamientos que puedan hacerlo resbalar o tropezar. El césped alto puede ocultar obstáculos.
- Asegúrese siempre de estar bien parado. Si resbala y cae puede lesionarse seriamente. Si siente que pierde el equilibrio, suelte inmediatamente la manija de control del motor/la cuchilla y la cuchilla dejará de girar en tres (3) segundos.

No haga lo siguiente:

- No corte el césped cerca de caídas, zanjas o terraplenes, puede perder el equilibrio.
- No corte en pendientes mayores de 15 grados como ilustra el indicador de pendientes.
- No corte el césped mojado. Si no está firmemente parado, puede resbalarse.

Niños

Pueden ocurrir accidentes trágicos si el operador no está atento a la presencia de niños. Por lo general a los niños les atraen las cortadoras y la actividad de cortar el césped. No entienden los riesgos ni los peligros. Nunca suponga que los niños permanecerán en el lugar donde los vio por última vez.

- Mantenga a los niños fuera del área que está cortando y bajo estricta vigilancia de un adulto responsable además del operador.
- Esté alerta y apague la cortadora si un niño ingresa al área.
- Antes y mientras se está moviendo hacia atrás, mire hacia atrás y hacia abajo y cuide que no haya niños.
- Tenga mucho cuidado cuando se aproxime a esquinas ciegas, entradas de puertas, arbustos, árboles y otros objetos que puedan obstaculizarle la vista de un niño que pudiese correr hacia la cortadora.

No permita nunca que los niños menores de 14 años utilicen esta máquina. Los niños de 14 años en adelante deben leer y entender las instrucciones de operación y normas de seguridad contenidas en este manual y en la máquina y deben ser entrenados y supervisados por un adulto.

Servicio

- Al efectuar el mantenimiento de la cortadora, utilice las piezas de reemplazo del fabricante del equipo original (OEM) que aparecen en este manual. "El uso de piezas que no cumplen con las especificaciones del equipo original podría tener como resultado un rendimiento incorrecto y además poner en riesgo la seguridad".

- Antes de limpiar, reparar o inspeccionar la máquina, compruebe que la cuchilla y todas las partes móviles se hayan detenido. Desconecte el cable de alimentación cuando no lo use para impedir el arranque accidental.
- Siga las instrucciones para lubricar y reemplazar los accesorios.
- Inspeccione el cable y los prolongadores de la cortadora periódicamente y, si están dañados, reemplácelos inmediatamente. El cable de la cortadora debe ser reparado únicamente por un distribuidor de servicio autorizado.
- Mantenga las manijas secas, limpias y sin aceite o grasa.
- Para reducir la posibilidad de incendio mantenga el motor sin pasto, hojas y otros desechos acumulados.
- Revise los pernos de montaje de la cuchilla y del motor a intervalos frecuentes para verificar que estén bien apretados. Además, inspeccione visualmente la cuchilla para ver si está dañada (por ejemplo, doblada, rajada, gastada). Reemplace la cuchilla únicamente por otra del fabricante del equipo original (OEM) que aparece en este manual.
- Conserve la cortadora en buenas condiciones: Mantenga la cuchilla afilada y limpia para un mejor y más seguro rendimiento. Las cuchillas de la cortadora son afiladas y pueden cortar, envuelva la cuchilla o use guantes y extreme las precauciones al efectuar el mantenimiento.
- Mantenga todos los pernos, tuercas y tornillos bien ajustados para asegurarse de que la máquina se encuentra en condiciones seguras de funcionamiento.
- Nunca altere los dispositivos de seguridad. Controle periódicamente que funcionen correctamente.
- Si golpea un objeto extraño, detenga el motor y desconecte el cable de alimentación. Inspeccione minuciosamente la máquina para determinar si está dañada. Repare el daño antes de hacer funcionar la cortadora.
- Los componentes del colector de césped, la cubierta de descarga y el escudo posterior, están sujetos a desgaste y daños que podrían dejar expuestas las partes móviles o permitir que se arrojen objetos. Para proteger su seguridad, verifique frecuentemente todos los componentes y reemplácelos inmediatamente sólo por piezas del fabricante del equipo original (OEM) que aparecen en este manual.
- Cuando no está en uso, almacene la cortadora en un lugar seco, alto y bajo llave y/o fuera del alcance de los niños.
- Mantenga o reemplace las etiquetas de seguridad e instrucciones según corresponda.

Vida útil media

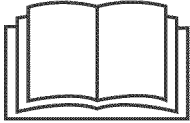


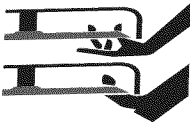



Según la Comisión de Seguridad de Productos para el Consumidor de los Estados Unidos (CPSC) y la Agencia de Protección Ambiental de los Estados Unidos (EPA), este producto tiene una *vida útil media* de siete (7) años ó 140 horas de funcionamiento. Al finalizar la *vida útil media*, adquiera una máquina nueva o haga inspeccionar anualmente esta unidad por un distribuidor de servicio autorizado para cerciorarse de que todos los sistemas mecánicos y de seguridad funcionan correctamente y no tienen excesivo desgaste. De lo contrario, pueden producirse accidentes, lesiones o la muerte.

GUARDE ESTAS INSTRUCCIONES

INSTRUCCIONES DE SEGURIDAD

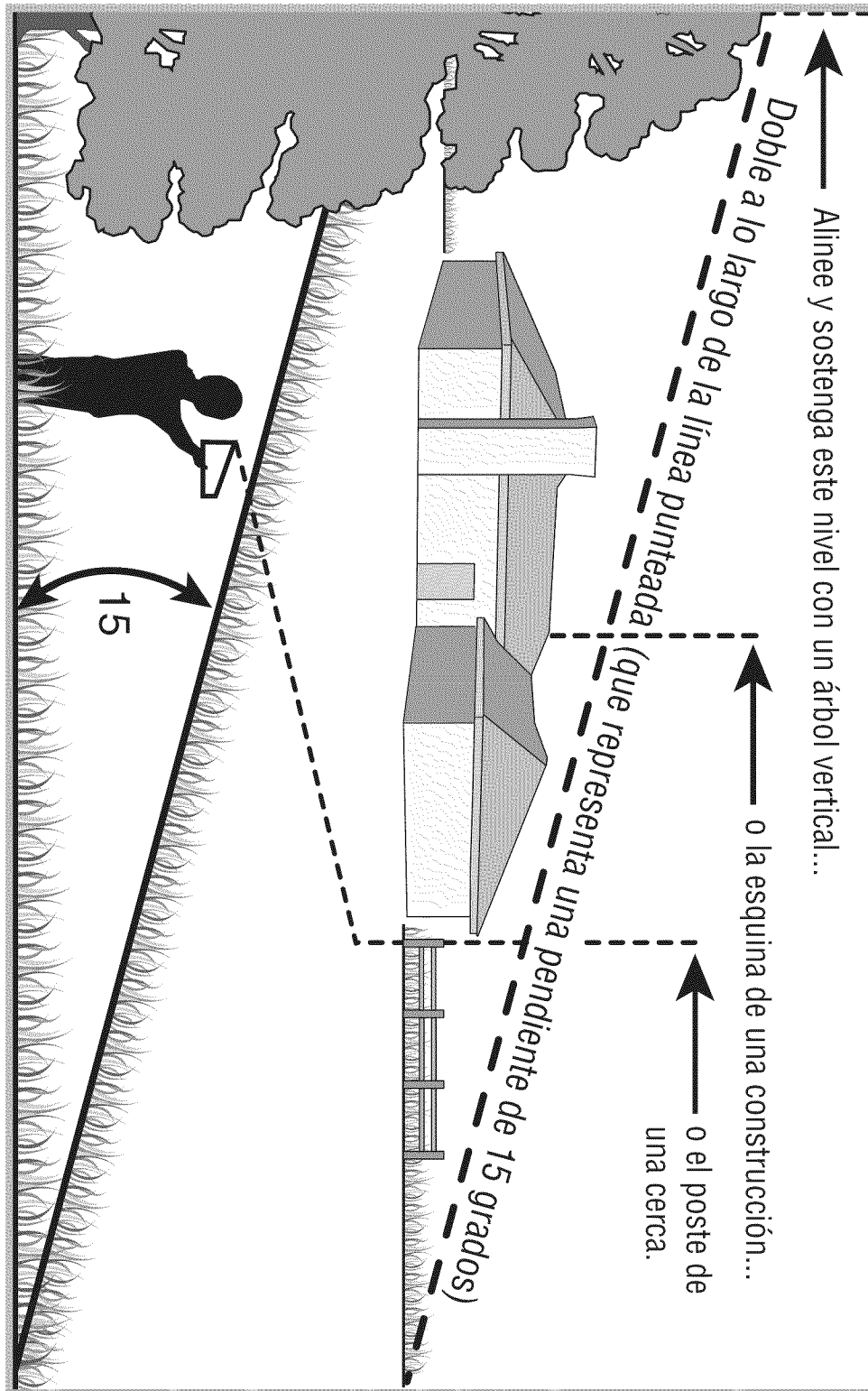
Símbolos De Seguridad

Esta página representa y describe la seguridad los símbolos que pueden parecer en este producto. Lea, comprenda, y siga todas instrucciones en la máquina antes procurar para reunir y operar.

Symbol	Description
	LEA EL MANUAL(S) DEL OPERADOR Lea, comprenda, y siga todas instrucciones en el manual (manuales) antes procurar para reunir y operar.
	PELIGRO— GIRANDO HOJAS Para reducir el riesgo de herida, guarde manos y pies lejos. No funcione a menos que la tapa de descarga o el receptor de hierba estén en su lugar apropiado. De ser dañado, sustituya inmediatamente.
	PELIGRO— ESPECTADORES No siegue cuando los niños o los otros están alrededor.
	PELIGRO— DÉ EL CORTE DE PIE Guarde manos y pies lejos de hacer girar partes.
	PELIGRO— ESCOMBROS LANZADOS Quite objetos que pueden ser lanzados por la lámina en cualquier dirección. Lleve gafas de seguridad.
	PELIGRO— CUESTAS Use extra la precaución en cuestas. No siegue cuestas mayores que 15 °.
	ADVERTENCIA — ELECTROCHOQUE No use el juez de salida eléctrico del motor en la lluvia.

GUÍA DE CUESTA

Use esta página como guía para determinar las inclinaciones de las pendientes en las que podría no tener una operación segura. No opere la podadora en dichas pendientes.







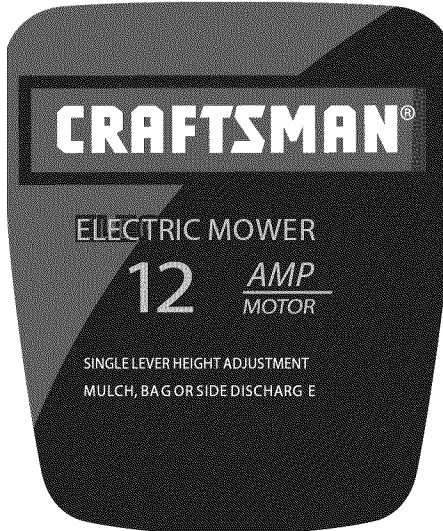
No podes en inclinaciones mayores a 15 grados (elevación aproximada de 2 1/2 pies por cada 10 pies). Una podadora en movimiento podría voltearse y causar lesiones severas. Si en una pendiente opera una podadora ubicado detrás de la misma, es extremadamente difícil mantener el equilibrio y podría resbalarse y sufrir lesiones graves.



La presencia de este símbolo indica que se trata de instrucciones importantes de seguridad que se deben respetar para evitar poner en peligro su seguridad personal y/o material y la de otras personas. Lea y siga todas las instrucciones de este manual antes de poner en funcionamiento esta máquina. Si no respeta estas instrucciones puede provocar lesiones personales. Cuando vea este símbolo, ¡TENGA EN CUENTA LA ADVERTENCIA!

ETIQUETAS DE SEGURIDAD

					
⚠ DANGER		AVOID SERIOUS INJURY OR DEATH			
<ul style="list-style-type: none"> • TO REDUCE THE RISK OF ELECTRIC SHOCK, DO NOT EXPOSE UNIT TO WATER OR OPERATE UNIT ON WET GROUND. REPLACE DAMAGED CORD IMMEDIATELY. • DISCONNECT FROM SUPPLY CIRCUIT BEFORE SERVICING OR REMOVING BLADE. • KEEP HANDS AND FEET AWAY FROM ROTATING PARTS. • DO NOT MOW WHEN CHILDREN OR OTHERS ARE AROUND. 		<ul style="list-style-type: none"> • REMOVE OBJECTS THAT CAN BE THROWN BY THE BLADE IN ANY DIRECTION. WEAR SAFETY GLASSES. • USE EXTRA CAUTION ON SLOPES. DO NOT MOW SLOPES GREATER THAN 15°. MOW ACROSS. NEVER UP AND DOWN. NEVER PULL MOWER CLOSE TO YOUR FEET. LOOK DOWN AND BEHIND BEFORE AND WHILE MOVING BACKWARDS. 			
<p>READ OPERATOR'S MANUAL. KEEP SAFETY DEVICES (BLADE CONTROL, TRAILING SHIELD, DISCHARGE COVER, ETC.) IN PLACE AND WORKING. IF DAMAGED, REPLACE IMMEDIATELY.</p>					
<p>⚠ WARNING</p> <p>WHEN REPAIRING THIS UNIT USE ONLY IDENTICAL REPLACEMENT PARTS. PARTS MUST BE RE-ASSEMBLED IN PROPER ORDER TO MAINTAIN DOUBLE INSULATION PROTECTION. REFER TO REPAIR PARTS SECTION OF YOUR OWNERS MANUAL OR CONTACT YOUR AUTHORIZED SERVICE CENTER.</p>		<p>DOUBLE INSULATED</p> <p>AC ONLY E251550</p> <p>Volts 120 Amps 12 Hertz 60</p> <p> LISTED LAWN MOWER 201EE</p>	<p>PLACE MODEL PLATE HERE</p>		



Esta página se marchó intencionadamente en blanco.

MONTAJE

MANIJA

1. Retire el material de empaque que pudiera estar entre las manijas superior e inferior.
 - a. Afloje cada perilla de mano que se encuentra en el lado interno de la manija superior.
 - b. Levante con cuidado y gire la manija superior a la posición de funcionamiento como se muestra en la Figura 1.

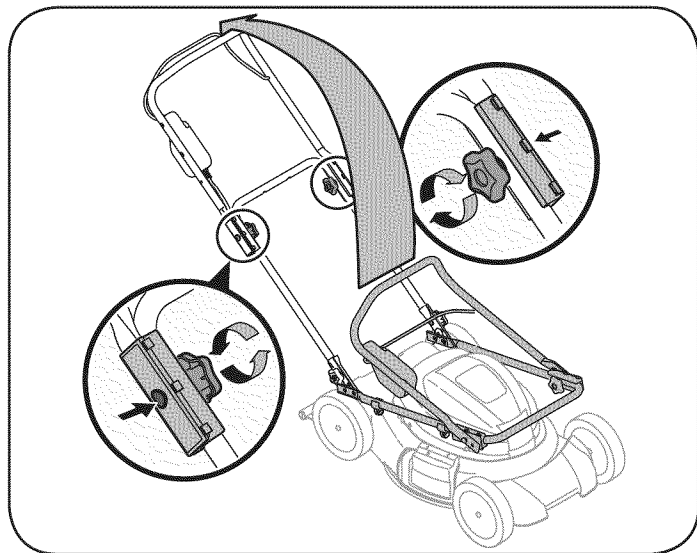


Figura 1

- c. Retire las perillas en estrella de los soportes de montaje de la manija y sujete la manija inferior a los soportes de la manija colocando el orificio inferior de la manija inferior en los pasadores de los soportes.
 - d. Asegure la manija superior y la manija inferior apretando las perillas de mano. Es necesario asentar cada perno del carro adecuadamente en el orificio cuadrado del conector plástico.
2. Apriete las perillas en estrella ajustando la manija inferior a los soportes de la manija. Vea la Figura 2. Compruebe que la manija inferior esté firmemente asentada en los soportes de montaje.

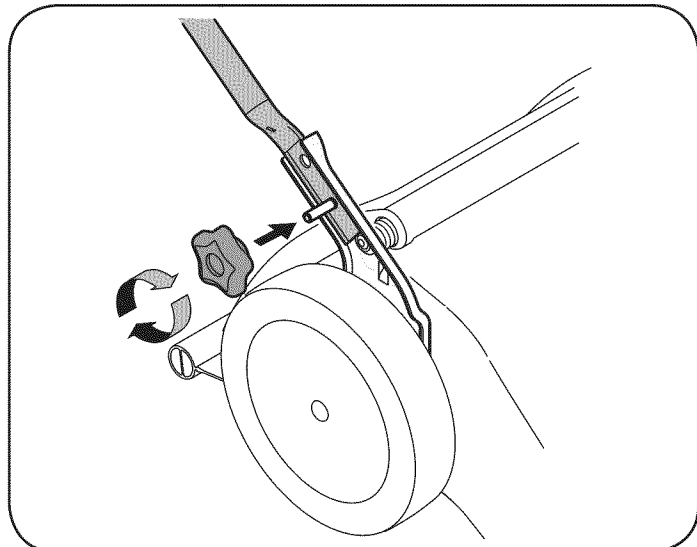


Figura 2

BARRA DE GUÍA DEL CABLE

Fije la barra de guía del cable con el retenedor del prolongador a la manija superior como se muestra en la Figura 3.

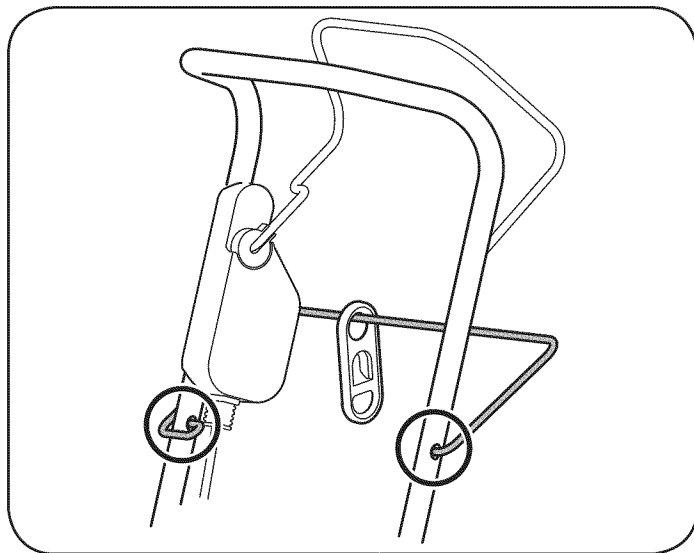


Figura 3

NOTA: No enchufe el prolongador al receptáculo de la fuente de alimentación (toma) antes de pasarlo a través del retenedor del cable y conectar el prolongador al receptáculo del cable de la cortadora.

MONTAJE

Para pasar correctamente el prolongador a través del retenedor del cable:

1. A aproximadamente 14-16 pulgadas del extremo, doble el prolongador para formar un lazo ajustado.
2. Empuje el lazo a través del orificio inferior del retenedor del cable. Vea la Figura 4a.
3. Coloque el lazo sobre el broche que hay en el retenedor del cable y estire hacia abajo hasta que el cable calce cómodamente en el broche. Vea la Figura 4b.

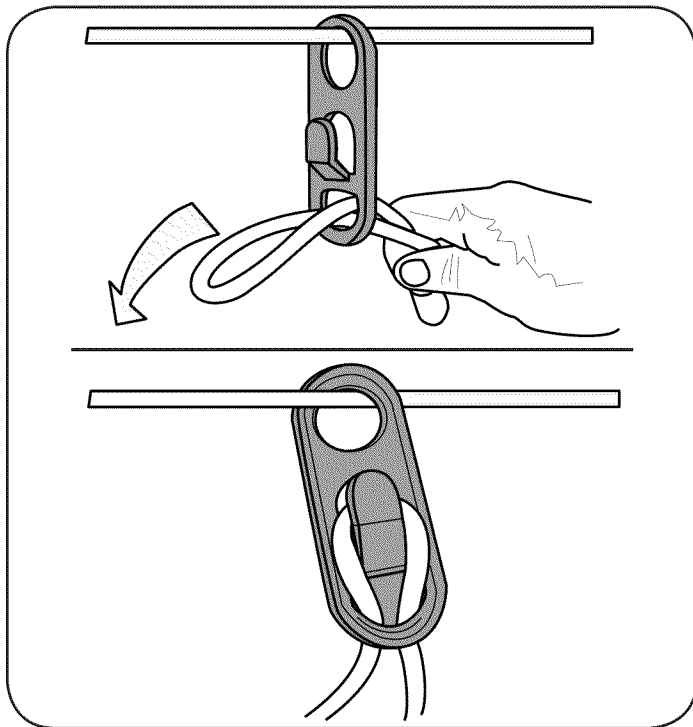


Figura 4

NOTA: Utilice un prolongador aprobado por UL. Se recomienda un cable de calibre 14 y 100 pies. Es aceptable un cable de calibre 16 y 50 pies. Consulte la tablita que aparece en Medidas de Seguridad.

El retenedor del cable y la barra de guía juntos ajustan el prolongador y limitan de forma segura su movimiento. El retenedor del cable (junto con el prolongador) se desliza a lo largo de la barra de guía a medida que la cortadora se mueve hacia izquierda o derecha.

COLECTOR DE CÉSPED

1. Siga los pasos siguientes para armar el colector de césped (de ser necesario). Asegúrese que la bolsa para recortes está con el lado derecho hacia afuera antes de ensamblar (la etiqueta de advertencia estará hacia afuera).
 - a. Coloque la bolsa sobre el marco de modo que el lado de plástico negro quede en el fondo.
 - b. Deslice el canal plástico de la bolsa sobre los ganchos del marco. Vea la Figura 5. Todos los canales plásticos excepto en la parte central superior de la bolsa se unen desde afuera de la bolsa.
 - c. Una la parte central superior de la bolsa desde adentro de la misma.

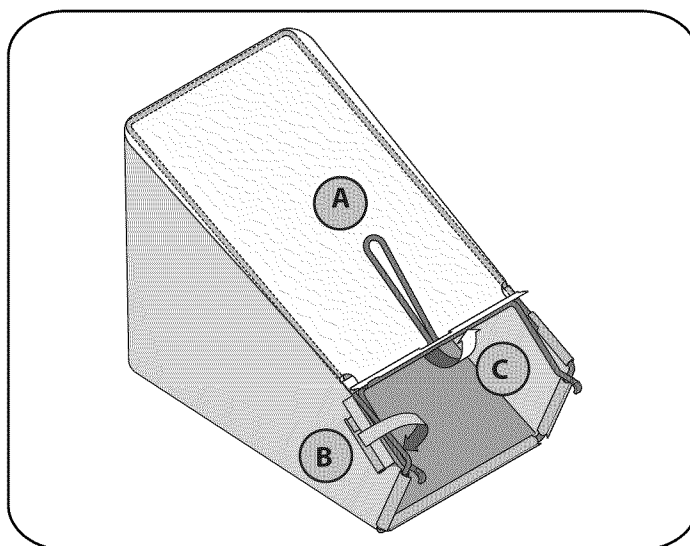


Figura 5

MONTAJE

2. Siga los pasos siguientes para armar el colector de césped:
 - a. Levante la puerta de descarga trasera.
 - b. Quite la tolva de abono posterior.
 - c. Coloque el colector de césped sobre la varilla de pivote. Suelte la puerta de descarga de modo que descance sobre el colector de césped. Vea la Figura 6.

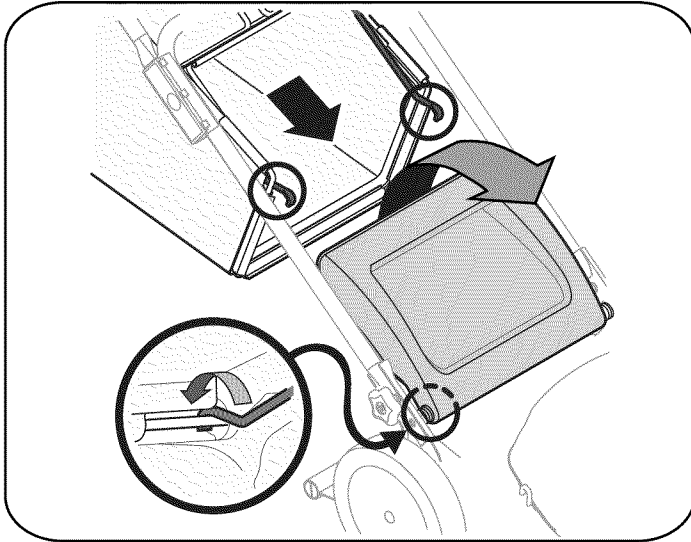


Figura 6

Para sacar el colector de césped, levante la puerta trasera de descarga de la cortadora de césped. Levante el colector de césped, sacándolo de la varilla de pivote. Suelte la puerta de descarga trasera para permitir que la misma cierre la abertura posterior de la cortadora.

⚠ ADVERTENCIA

Nunca opere la cortadora a menos que los ganchos del colector de césped estén firmemente asentados en la varilla de pivote y la puerta de descarga trasera descance firmemente contra la parte superior del colector de césped.

TOLVA DE DESCARGA LATERAL

Si hace la conversión a descarga lateral, asegúrese de que el colector de césped esté fuera de la unidad, la tolva de abono se haya retirado y la puerta de descarga trasera esté cerrada.

1. Desde el costado de la cortadora, levante el adaptador para abono.

2. Deslice los ganchos del canal debajo del pasador de bisagra en el montaje de la clavija de abono. Baje la clavija de abono. Vea la Figura 7. No extraiga la clavija para abono lateral en cualquier momento, aún cuando no esté abonando.

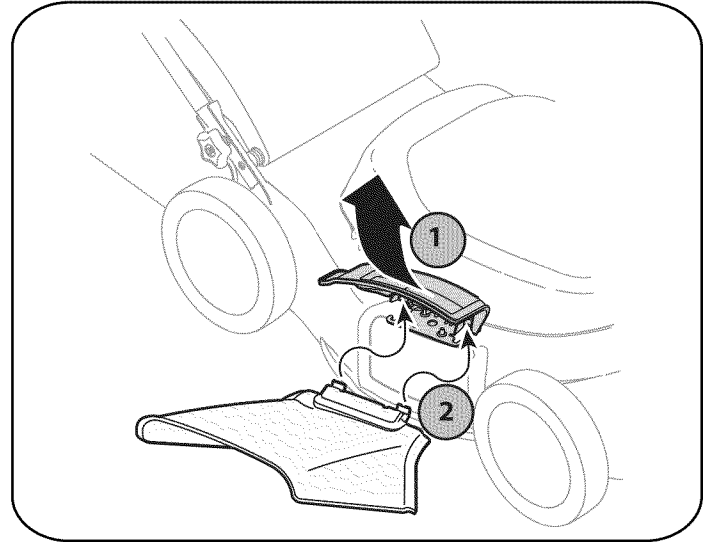


Figura 7

AJUSTES

La palanca de ajuste de altura de corte se ubica por encima de la rueda izquierda trasera. Vea la Figura 8.

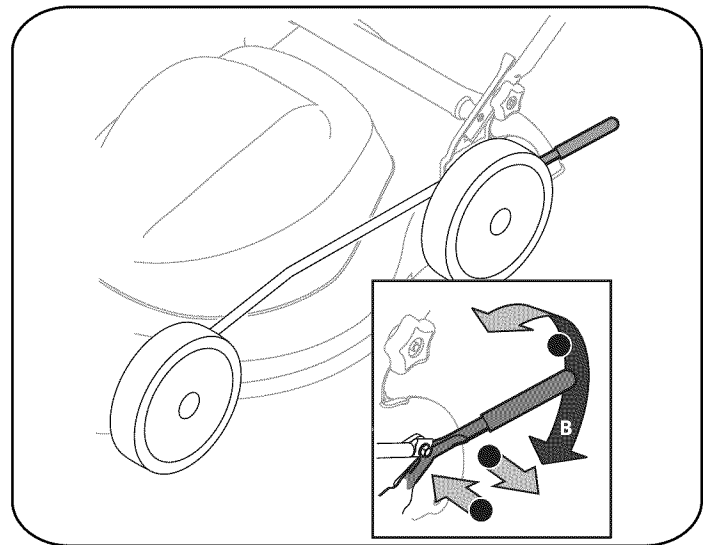


Figura 8

1. Tire de la palanca hacia afuera de la cortadora.
2. Mueva la palanca hacia adelante o hacia atrás para obtener la altura de corte deseada.
3. Suelte la palanca hacia la plataforma de la cortadora.

OPERACIÓN

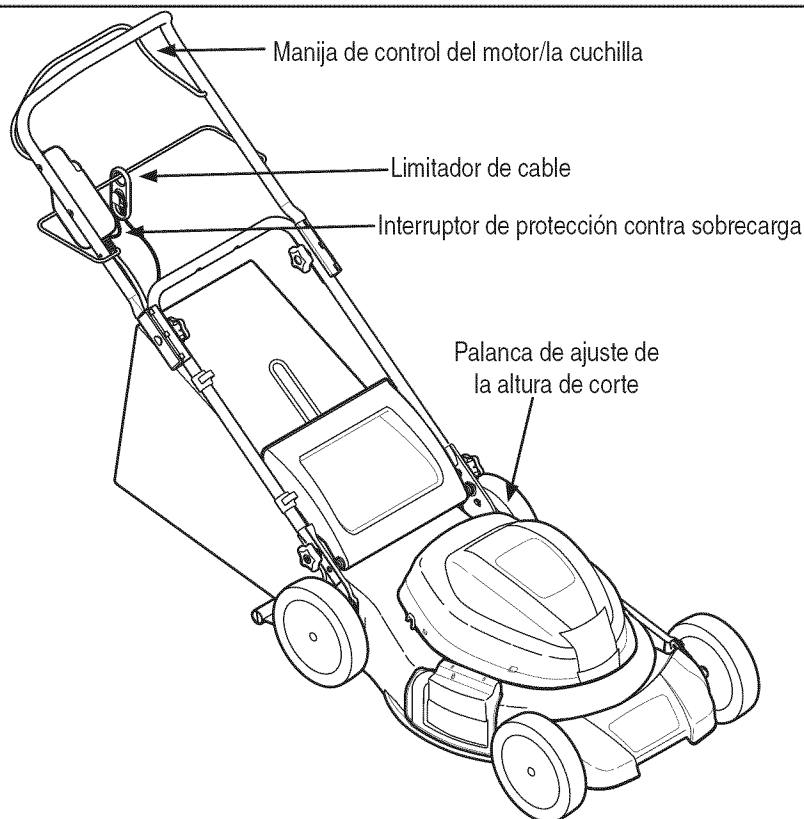


Figura 9

MANIJA DE CONTROL DEL MOTOR/LA CUCHILLA

La manija de control del motor/la cuchilla está ubicada en la manija superior de la cortadora de césped. Vea la Figura 9. La manija de control del motor/la cuchilla engancha y desengancha el motor y la cuchilla.

⚠ ADVERTENCIA

La manija de control del motor/la cuchilla es un dispositivo de seguridad. Nunca intente anular su funcionamiento.

INTERRUPTOR DE PROTECCIÓN CONTRA SOBRECARGA

La cortadora tiene un interruptor de protección de sobrecarga ubicado en el control del motor/la cuchilla. El interruptor de protección de sobrecarga puede saltar cuando se exige demasiado al motor. Remítase a la sección Mantenimiento y Ajustes para reponer este interruptor.

LIMITADOR DE CABLE

El limitador de cable se encuentra en la parte de atrás de la manija superior y si se lo utiliza correctamente, ayuda a proteger el control del motor/la cuchilla y el prolongador que alimenta la unidad.

PALANCA DE AJUSTE DE LA ALTURA DE CORTE

La palanca de ajuste de altura de corte se ubica por encima de la rueda posterior izquierda. Para ajustar la altura de corte, consulte la Sección Montaje y Configuración.

OPERACIÓN

Arranque del motor

⚠ ADVERTENCIA

Evite arranques accidentales. Asegúrese de estar en la posición del operador detrás de la cortadora mientras la usa. Para evitar lesiones graves, tanto el operador como la unidad deben estar en posición estable durante el encendido.

Conexión a una fuente de alimentación eléctrica

⚠ ADVERTENCIA

Esta cortadora se debe utilizar en un circuito de 15 ó 20 AMP. Si tiene dificultad para arrancar con un fusible o disyuntor de 15 AMP, póngase en contacto con Sears o el centro de servicio autorizado más cercano. No utilice un fusible o disyuntor con mayor potencia nominal sin consultar antes con su compañía eléctrica.

NOTA: Conecte el prolongador a la cortadora tal y como se indica en la sección Configuración antes de enchufar el prolongador a un tomacorriente eléctrico. Consulte la Figura 10.

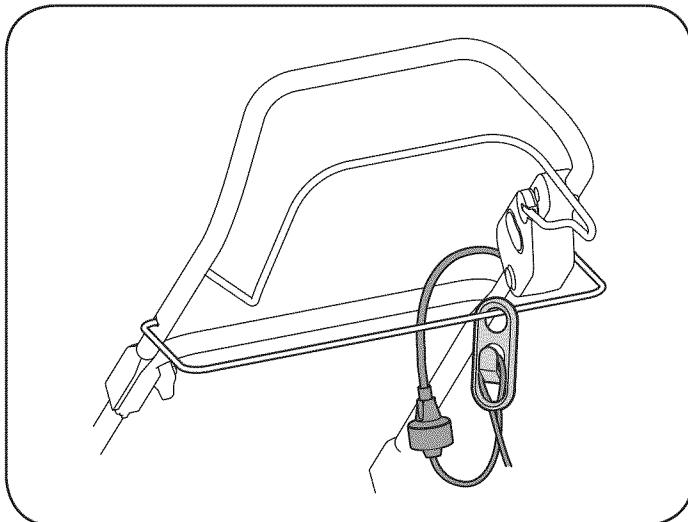


Figura 10

1. Enchufe el prolongador a cualquier toma (interior o exterior) conveniente con conexión a tierra de 120 volt. y 60 ciclos CA. Su cortadora funcionará correctamente en un circuito con un disyuntor de 15 amp.

NOTA: Para evitar que se disparen los disyuntores, seleccione un toma en un circuito que no esté sobrecargado. NO seleccione un toma que esté dentro de un circuito con artefactos como un refrigerador.

2. Permanezca detrás de la cortadora, en la posición del operador.

3. Oprima el botón arrancador (rojo) y manténgalo oprimido. Vea la Figura 11.

NOTA: Al arrancar el motor de la cortadora también se engancha la cuchilla.

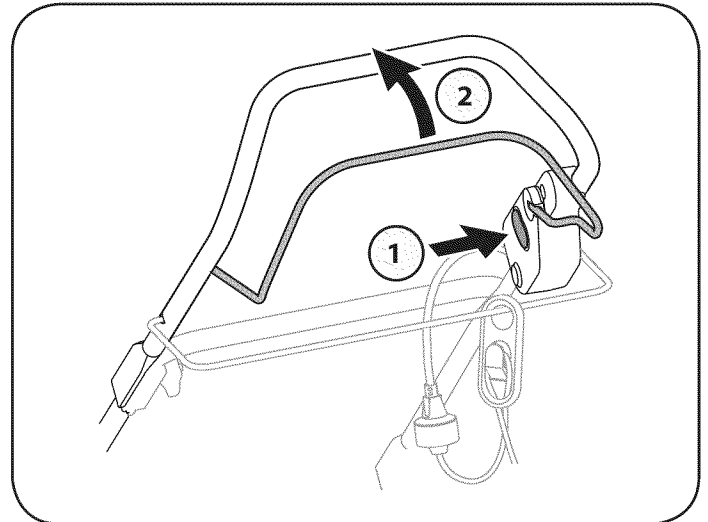


Figura 11

4. Mientras mantiene oprimido el botón arrancador, gire la manija de control del motor/la cuchilla hacia arriba contra la manija superior para arrancar el motor y enganchar la cuchilla. Vea la Figura 11.

NOTA: El motor de la cortadora NO arrancará si no se mantiene oprimido el botón arrancador mientras gira la manija de control del motor/la cuchilla hacia arriba.

5. Suelte el botón arrancador (rojo).

OPERACIÓN

Apagado del motor

ADVERTENCIA

La cuchilla continua girando por unos cuantos segundos después que el motor se ha apagado. Si el motor no se detiene cuando se suelta la manija de control del motor/la cuchilla, póngase en contacto con el distribuidor de servicio autorizado más cercano.

Suelte la manija de control del motor/la cuchilla para detener el motor y la cuchilla.

Uso de la cortadora de césped

Asegúrese que el césped está libre de piedras, palos, cables u otros objetos que pudiesen dañar la cortadora o el motor. Dichos objetos pueden ser arrojados accidentalmente en cualquier dirección por la cortadora y provocar lesiones personales graves al operador y a otras personas.

ADVERTENCIA

Si golpea un objeto extraño, detenga el motor y desenchufe del circuito de alimentación. Inspeccione la cortadora buscando daños y repare antes de volver a arrancar y hacer funcionar la cortadora. El exceso de vibración durante el funcionamiento de la cortadora es indicación de daño. Se debe inspeccionar y reparar la unidad lo antes posible.

- Para evitar descargas eléctricas, no opere la cortadora en condiciones húmedas o mojadas.
- Siempre empiece desde el lugar más cercano a la fuente de alimentación conectada al cable. Nunca corte el césped en círculos, ni se desplace hacia adelante y hacia atrás, comenzando en el punto más cercano al tomacorriente y alejándose de manera que el cable se mantiene en la sección de césped cortado, fuera del camino.
- No permita que el prolongador se enrosque en los árboles, arbustos y otros obstáculos. Al recoger el prolongador, envuélvalo en una serie de ochos a cada lado de su mano para evitar que se enrede.

USO COMO ABONADORA

Para abonar el césped, quite el colector de césped o canal de descarga lateral de la máquina. Para un abono eficiente, no corte césped húmedo. Si el césped ha crecido más de cuatro pulgadas, no se recomienda el uso de la cortadora como abonadora. En ese caso, use el colector de césped para embolsar los recortes.

USO DEL COLECTOR DE CÉSPED

Puede utilizar el colector de césped para recoger dichos recortes mientras opera la podadora.

1. Acople el colector de césped siguiendo las instrucciones de la sección Montaje y Configuración. Los recortes de césped son recolectados automáticamente en la bolsa a medida que se usa la cortadora. Haga funcionar la cortadora hasta que la bolsa de recolección esté llena.
2. Detenga el motor por completo soltando la manija de control del motor/la cuchilla. Compruebe que la unidad se haya detenido totalmente.
3. Para retirar la bolsa, levante la puerta de descarga y tire de la bolsa de recolección hacia arriba, apartándola de la cortadora. Deseche los recortes de césped y vuelva a colocar la bolsa.

SERVICIO Y MANTENIMIENTO

RECOMENDACIONES GENERALES

- Siempre que realice tareas de mantenimiento debe respetar las reglas de seguridad.
- La garantía de esta cortadora no cubre elementos que han estado sujetos al mal uso o la negligencia del operador. Para recibir el reembolso total de la garantía, el operador deberá mantener la cortadora como se indica en este manual.
- Todos los ajustes deben ser verificados por lo menos una vez por temporada.
- Revise periódicamente todos los sujetadores y compruebe que estén bien ajustados.

⚠ ADVERTENCIA

Siempre apague el motor y desconecte la fuente de energía antes de limpiar, lubricar o realizar cualquier reparación o tarea de mantenimiento en la cortadora de césped.

LUBRICACIÓN

1. Lubrique las ruedas por lo menos una vez por temporada con aceite ligero o aceite para motor. Si las ruedas se quitan por cualquier razón, debe lubricar la superficie del brazo giratorio y la superficie interna de la rueda con aceite ligero. Vea la Figura 12.
2. Lubrique el resorte de torsión y el punto de pivote de la puerta trasera de descarga y clavija de abono lateral periódicamente con aceite ligero para evitar que se oxide. Vea la Figura 12.

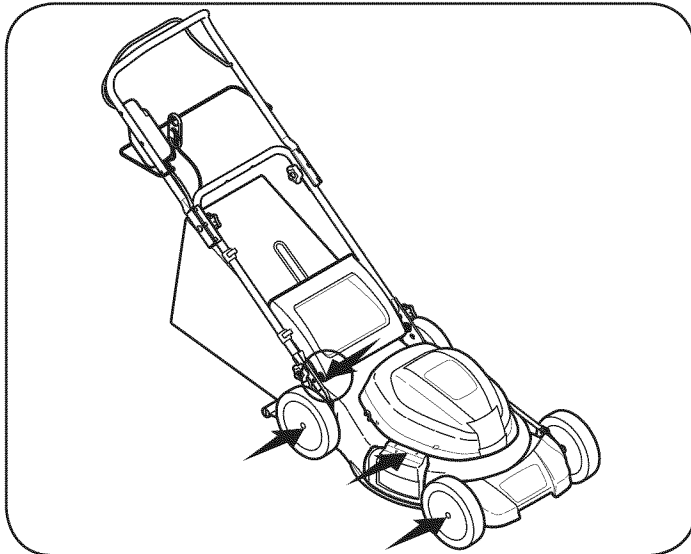


Figura 12

CUIDADO DE LA CUBIERTA

⚠ ADVERTENCIA

Para reducir el riesgo de sufrir descargas eléctricas, no exponga la cortadora de césped al agua.

Debe limpiar la parte inferior de la plataforma de la cortadora después de cada uso ya que se acumulan recortes de pasto, hojas, suciedad y otros desechos. Esta acumulación de recortes de pasto, etc. no es aconsejable porque produce óxido y corrosión.

1. Quite el pasto y hojas acumulados alrededor de la tapa del motor (no use agua). Ocasionalmente limpie la cortadora con un paño seco.
2. Si se han acumulado desechos en la parte inferior de la unidad, incline la cortadora y limpie raspando con una herramienta adecuada.

IMPORTANTE: No utilice una lavadora a presión o manguera de jardín para limpiar su unidad. Pueden dañar los componentes eléctricos, o el motor eléctrico. El uso de agua acortará la vida útil de la máquina y reducirá su capacidad de servicio.

REPOSICIÓN DEL INTERRUPTOR DE PROTECCIÓN CONTRA SOBRECARGA

Esta cultivadora está equipada con un interruptor de protección contra sobrecarga para evitar que el motor se dañe debido al recalentamiento.

Si la protección contra sobrecarga se activa:

1. Suelte la manija de control del motor/la cuchilla y NO vuelva a arrancar la cortadora durante al menos un minuto, dando tiempo a que el motor eléctrico se enfríe.
2. Oprima el interruptor de protección contra sobrecarga para restablecer. Vea la Figura 13.

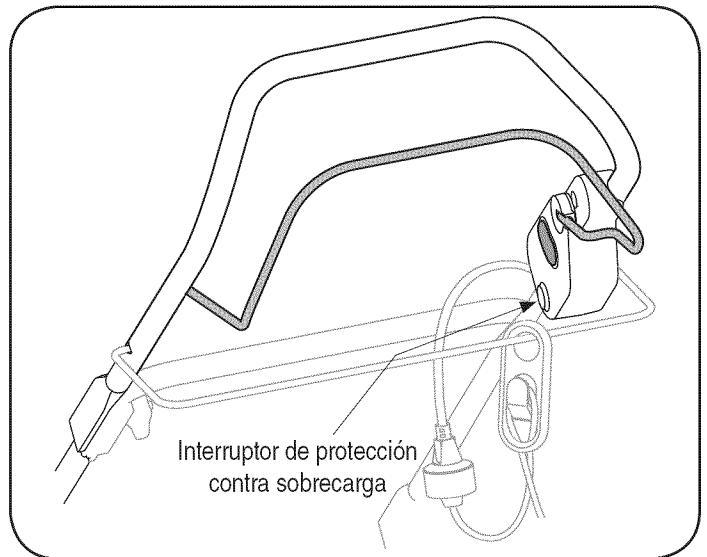


Figura 13

SERVICIO Y MANTENIMIENTO

Si la protección contra sobrecarga salta poco después de restablecer:

1. Suelte la manija de control del motor/la cuchilla y NO vuelva a arrancar la cortadora durante al menos 15 minutos, dando más tiempo al motor eléctrico para que se enfríe.
2. Oprima el interruptor de protección contra sobrecarga para restablecer.
3. Vuelva a arrancar la unidad.

NOTA: Si el interruptor de protección contra sobrecarga salta repetidamente durante el funcionamiento, o si no se mantiene cuando se intenta restablecer, póngase en contacto con su centro de servicio autorizado para acordar una reparación.

REEMPLAZO DEL ESCUDO POSTERIOR

⚠ ADVERTENCIA

Nunca opere la cortadora si el escudo posterior no está colocado y funcionando. Nunca opere la cortadora si los dispositivos de seguridad están dañados. De lo contrario, pueden producirse lesiones personales.

El escudo posterior está sujeto a desgaste y daños lo que podría dejar expuestas las partes móviles o permitir que se arrojen objetos. Para proteger su seguridad, verifique frecuentemente el escudo posterior reemplazándolo inmediatamente con las piezas del fabricante original del equipo, 931-05686.

1. Parar retirar el escudo posterior, levante la puerta trasera y retire los tornillos teniendo el escudo posterior en lugar.
2. Presione el escudo en ambos lados para sacarlo del orificio. Vea la Figura 14.

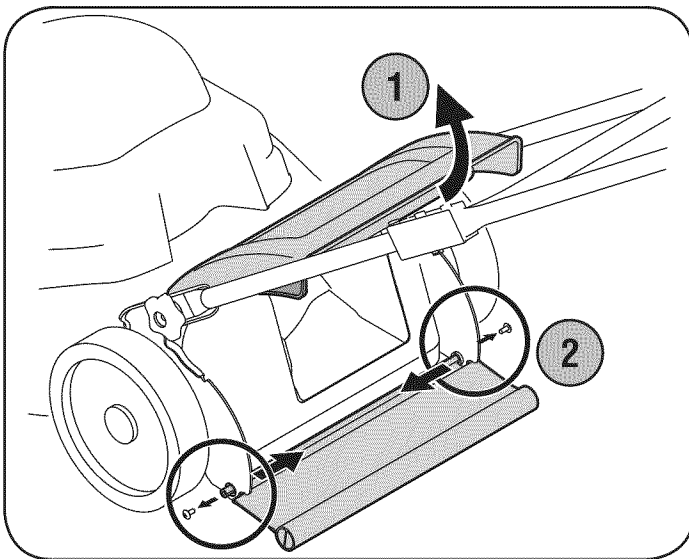


Figura 14

3. Retire el escudo del orificio opuesto y Cámbielo por un escudo nuevo en orden y forma inversa al retro.

CUIDADO DE LA CUCHILLA

⚠ ADVERTENCIA

Cuando saque la cuchilla de corte para afilarla o reemplazarla, protéjase las manos usando un par de guantes gruesos o un trapo grueso para sostener la cuchilla. Está seguro de desconectar el suministro de energía.

Inspeccione periódicamente el adaptador de la cuchilla buscando rajaduras, especialmente si golpea un objeto extraño. Reemplace según corresponda. Siga los siguientes pasos para realizar el mantenimiento de la cuchilla.

1. Pare el motor y desconecte el suministro de energía al cortacésped. Coloque la cortadora de césped sobre un lado.
2. Use un bloque de madera entre lámina y cubierta de cortacésped para impedir a la lámina dar vuelta cuando el cerrojo es quitado.
3. Afloje y saque el perno de la cuchilla, la placa de seguridad y la cuchilla. Vea la Figura 15.

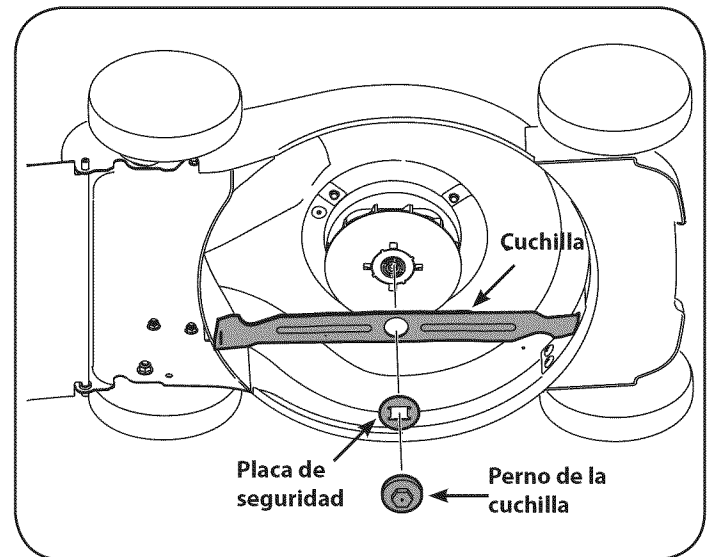


Figura 15

SERVICIO Y MANTENIMIENTO

Afilado de Hoja

Para afinar correctamente el corte de las hojas, quitar la igualdad de cantidades de metal de ambos extremos de las hojas a lo largo de los bordes de corte, paralelo al borde, en un 25 ° a 30 ° de ángulo. Vea la Figura 16.

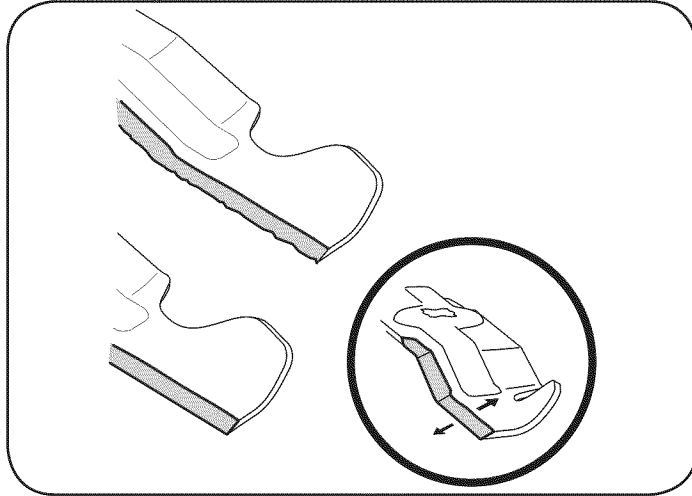


Figura 16

NOTA: Afilando la cuchilla, siga el ángulo original de muelen y muelen cada filo igualmente para guardar la cuchilla equilibrada. Equilibre la cuchilla en un destornillador de eje redondo. Quite el metal del lado pesado hasta que esto equilibre regularmente.

Instalación de Hoja

⚠ ADVERTENCIA

Si la cuchilla está desequilibrada causará demasiada vibración al rotar a altas velocidades. Puede dañar la cortadora de césped y se puede romper, causando lesiones personales

1. Coloque la cuchilla de corte, la placa de seguridad y el perno de la cuchilla sobre el eje del motor y atornille el perno con la mano.
NOTA: Asegúrese de volver a colocar las partes en el mismo orden en que las retiró. Al instalar la cuchilla de corte, asegúrese de instalarla con los extremos curvos hacia la plataforma de la cortadora y no hacia el suelo.
2. Aplique torsión al perno de la cuchilla usando una llave de par para asegurar que el perno está correctamente apretado. El torque recomendado para el perno de la cuchilla es 170-220 pulg/lb.

Para garantizar el funcionamiento seguro de la cortadora revise periódicamente el perno de la cuchilla para determinar si está bien ajustado.

PROGRAMA DE MANTENIMIENTO

⚠ ADVERTENCIA

Apague el motor y retire la llave siempre antes de limpiar, lubricar o realizar cualquier reparación o tarea de mantenimiento en la cortadora de césped. Utilice siempre anteojos de seguridad durante el funcionamiento o mientras ajusta o repara este equipo.

Siga el cronograma de mantenimiento que se presenta a continuación. Esta tabla sólo describe pautas de servicio. Utilice la columna Registro de Servicio para hacer el seguimiento de las tareas de mantenimiento completadas. **Para ubicar el centro de servicio Sears más cercano o para programar un servicio, simplemente comuníquese con Sears al teléfono 1-800-4-MY-HOME®**

Intervalo	Artículo	Servicio	Registro de servicio
Cada uso	<ol style="list-style-type: none"> 1. Cuchillas de la cortadora 2. Piezas sueltas o faltantes 3. Controles 4. Motor 5. Plataforma 	<ol style="list-style-type: none"> 1. Afile según corresponda 2. Ajuste o reemplace 3. Verifique que funcione correctamente 4. Quite el pasto y hojas acumulados alrededor de la tapa del motor (no use agua). 5. Limpie la parte inferior de la plataforma con una herramienta adecuada (no use agua). 	
Anualmente o cada 25 horas	<ol style="list-style-type: none"> 1. Ruedas 2. Puerta trasera de descarga y clavija de abono lateral 3. Cuchillas de la cortadora 	<ol style="list-style-type: none"> 1. Lubrique con aceite ligero 2. Lubrique el resorte de torsión y punto de pivote con aceite ligero. 3. Afile y balancee 	
Antes de almacenar	<ol style="list-style-type: none"> 1. Batería 	<ol style="list-style-type: none"> 1. Cargue totalmente 	
Durante el almacenamiento	<ol style="list-style-type: none"> 1. Batería 	<ol style="list-style-type: none"> 1. Cargue cada dos meses 	

ALMACENAMIENTO FUERA DE TEMPORADA

PREPARACIÓN DE LA CORTADORA DE CÉSPED

Se deben seguir estos pasos para preparar la cortadora para almacenarla.

- Limpie y lubrique la cortadora como se describe en las instrucciones de lubricación.
- No utilice una lavadora a presión o manguera de jardín para limpiar su unidad.
- Haga seguro el suministro de energía es desconectado.
- Cubra la cuchilla de la cortadora con grasa para chasis para impedir que se oxide.
- Almacene la unidad en una zona limpia y seca. No la almacene cerca de productos corrosivos como por ejemplo fertilizantes.
- Limpie la cuerda de extensión para quitar cualquier sustancia extranjera como el petróleo o manchas. Sustituya la cuerda de extensión de cortar o ser dañada de cualquier modo.
- Cuerda de viento en una serie de lazos iguales en cada lado de su mano para prevenir gruñido.

SOLUCIÓN DE PROBLEMAS

⚠ ADVERTENCIA

Siempre apague el motor, lubricar o realizar cualquier reparación o tarea de mantenimiento en la cortadora de césped. Utilice siempre anteojos de seguridad durante la operación o mientras realiza ajustes o reparaciones.

Problema	Causa	Solución
La cortadora no arranca	<ol style="list-style-type: none"> 1. Cable desconectado del control del motor/ la cuchilla. 2. Control del motor/la cuchilla defectuoso. 3. Prolongador no conectado al enchufe de la cortadora. 4. Prolongador no conectado a una fuente de alimentación. 5. El interruptor de protección de sobrecarga de la cortadora o el disyuntor del tomacorriente de la casa se desconectó. 	<ol style="list-style-type: none"> 1. Vuelva a conectar el cable manteniendo el limitador cerca del control del motor/la cuchilla. 2. Póngase en contacto con Sears para reemplace el control del motor/la cuchilla. 3. Conecte el prolongador al enchufe de la cortadora. 4. Conecte el prolongador a un toma de 110-120 voltios 60 hertz de CC. 5. Reposicione el interruptor de protección de sobrecarga siguiendo las instrucciones que aparecen en la sección Mantenimiento y Ajustes de este manual.
El disyuntor de la cortadora se desconecta	<ol style="list-style-type: none"> 1. Demasiada carga de trabajo en la cortadora. 2. Fusible quemado, tomacorriente recargado. 	<ol style="list-style-type: none"> 1. Eleve la altura de corte, reposicione el disyuntor de la cortadora, tome una franja de corte más angosta y camine despacio. 2. Conecte a un toma con fusible de 15 amp. Reposicione el disyuntor y vuelva a arrancar la cortadora.
Cortadora corta el pasto desparejo	<ol style="list-style-type: none"> 1. El césped está desigual o desparejo. 2. La altura de corte no está bien fijada. (Sólo para modelos con ajuste de altura individual) 	<ol style="list-style-type: none"> 1. Mueva las ruedas a una altura de corte más alta. 2. Todas las ruedas deben colocarse a la misma altura de corte para que la cortadora corte parejo.
La cortadora no procesa el abono correctamente	<ol style="list-style-type: none"> 1. Los recortes de césped mojado se adhieren a la parte inferior de la plataforma. 	<ol style="list-style-type: none"> 1. Espere a que el pasto se seque antes de cortarlo.
Difícil de empujar	<ol style="list-style-type: none"> 1. Césped alto o altura de corte demasiado baja. 2. La parte posterior del alojamiento de la cortadora y la cuchilla arrastran en el pasto tupido. 	<ol style="list-style-type: none"> 1. Eleve la altura de corte. 2. Eleve la altura de corte.
Cortadora vibra a mayor-velocidad	<ol style="list-style-type: none"> 1. Eje del motor doblado. 2. La cuchilla de corte está desequilibrada. 3. La cuchilla está floja. 	<ol style="list-style-type: none"> 1. Pare el motor, desconecte la fuente de alimentación e inspeccione el daño. Repare antes de volver a arrancar. Si la vibración persiste, llévela a un distribuidor de servicio. 2. Equilibre la cuchilla afilando cada borde de corte por igual. 3. Ajuste los pernos de la cuchilla con un par de torsión de 170 - 250 pulg.-lb.
El cable se desconecta con frecuencia	<ol style="list-style-type: none"> 1. El prolongador no está correctamente acoplado al limitador de cable. 2. Prolongador viejo, gastado o flojo. 	<ol style="list-style-type: none"> 1. Vuelva a conectar el prolongador al limitador en la varilla de guía. 2. Cambie el prolongador.
La manija no esté en posición	<ol style="list-style-type: none"> 1. Los pernos del carro no están asentados en los aisladores de las manijas. 	<ol style="list-style-type: none"> 1. Ajuste la altura de la manija y asegúrese de que los pernos del carro se asientan correctamente en los aisladores de las manijas. Ajuste las perillas de mano.

¿NECESITA MÁS AYUDA?

Encontrará la respuesta y más en managemy.com - ¡sin cargo!

- En línea podrá encontrar este manual y los manuales de todos los otros productos que posea.
- Sus preguntas serán respondidas por nuestro equipo de especialistas.
- Obtenga un plan de mantenimiento personalizado para su hogar.
- Encuentre información y herramientas que lo ayudarán con los proyectos de su hogar.

manage my home

brought to you by Sears

ACUERDO DE PROTECCIÓN PARA REPARACIONES

Felicitaciones por haber realizado una adquisición inteligente. El producto Craftsman® que ha adquirido está diseñado y fabricado para brindar muchos años de funcionamiento confiable. Pero como todos los productos a veces puede requerir de reparaciones. Es en ese momento cuando el disponer de un Acuerdo de protección para reparaciones le puede ahorrar dinero y problemas.

A continuación se detallan los puntos incluidos en el Acuerdo:

- **Servicio experto** prestado por nuestros 10,000 especialistas en reparaciones profesionales
- **Servicio ilimitado sin cargo** para las piezas y la mano de obra en todas las reparaciones cubiertas
- **Reemplazo del producto** hasta 1500 dólares si no es posible reparar el producto cubierto
- **Descuento de 10%** del precio normal del servicio y de las piezas relacionadas con el mismo que no estén cubiertas por el acuerdo; además, 10% del precio normal de la verificación de mantenimiento preventivo
- **Ayuda rápida por teléfono** - lo llamamos Resolución Rápida – el apoyo telefónico de un Chamusca al representante. Piense en nosotros como el manual “de un dueño hablador.”

Una vez adquirido el Acuerdo, puede programar el servicio con tan sólo realizar una llamada telefónica. Puede llamar en cualquier momento del día o de la noche o programar un servicio en línea.

El Acuerdo de Protección de Reparación es una compra sin riesgo. Si usted anula por alguna razón durante el período de garantía de producto, proporcionaremos un reembolso lleno. O, un reembolso prorrateado en cualquier momento después del período de garantía de producto expira. ¡Adquiera hoy su acuerdo de protección para reparaciones!

Se aplican determinadas limitaciones y exclusiones. Para obtener información adicional y precios en los Estados Unidos llame al 1-800-827-6655.

El *Coverage en Canadá varía en algunos artículos. Para detalles llenos la llamada Chamusca Canadá en 1-800-361-6665.

Servicio de instalación de Sears

Si desea solicitar la instalación profesional de Sears de aparatos domésticos, dispositivos para abrir portones, calentadores de agua y otros artículos domésticos importantes, en los Estados Unidos o Canadá llame al **1-800-4-MY-HOME®**.

Get it fixed, at your home or ours!

Your Home

For expert troubleshooting and home solutions advice:

manage my home

www.managemyhome.com

For repair – **in your home** – of **all** major brand appliances, lawn and garden equipment, or heating and cooling systems, **no matter who made it, no matter who sold it!**

For the replacement parts, accessories and owner's manuals that you need to do-it-yourself.

For Sears professional installation of home appliances and items like garage door openers and water heaters.

1-800-4-MY-HOME[®] (1-800-469-4663)

Call anytime, day or night (U.S.A. and Canada)

www.sears.com www.sears.ca

Our Home

For repair of carry-in items like vacuums, lawn equipment, and electronics, call anytime for the location of your nearest

Sears Parts & Repair Service Center

1-800-488-1222 (U.S.A.) **1-800-469-4663** (Canada)

www.sears.com www.sears.ca

To purchase a protection agreement on a product serviced by Sears:

1-800-827-6655 (U.S.A.) **1-800-361-6665** (Canada)

Para pedir servicio de reparación a domicilio, y para ordenar piezas:

1-888-SU-HOGAR[®]

(1-888-784-6427)

Au Canada pour service en français:

1-800-LE-FOYER^{MC}

(1-800-533-6937)

www.sears.ca

Sears